

optris[®] Outdoor protective housing

for PI/Xi camera, CSLaser LT, CTlaser LT, USB server and industrial PIF



Optris GmbH

Ferdinand-Buisson-Str. 14
13127 Berlin
Germany

Tel.: +49 30 500 197-0
Fax: +49 30 500 197-10

E-mail: info@optris.global
Internet: www.optris.global



Table of Contents

Table of Contents	3
1 General Information	5
1.1 Description	5
1.2 Warranty	6
1.3 Scope of Supply	6
2 Technical Data	7
2.1 General Specifications	7
2.2 Dimensions	8
2.3 Electrical Connections	10
2.4 Air Purge Laminar	11
2.5 Protective window	11
3 Installation	12
3.1 Electrical installation (w/o visible camera) [hier Variante A]	12

3.2	Installation (with visible camera) [hier Variante B]	14
3.3	Mounting of the USB server	14
3.4	Mounting of the PI camera	16
3.5	Mounting of the Xi camera	20
3.6	Mounting of CSLaser/CTlaser	21
4	Accessoires	23
4.1	Industrial Process Interface (PIF).....	23
4.2	Wall mount	24
5	Replacement of protective foil / protective window	25
5.1	Disassembling air purge laminar	25
5.2	Removing and inserting the protective foil	27
5.3	Cut the protective foil.....	29
5.4	Assembly protective window	31
	Appendix A - Declaration of Conformity	32

1 General Information

1.1 Description

Thank you for choosing the **optris® Outdoor protective housing**.

The outdoor protective housing is an ideal complement for the PI/Xi camera, CSLaser LT, CTlaser LT and the USB server for applications with additional influences of different kinds. It protects the devices among things like dirt, dust, and moisture. The outdoor protective housing can be used for any PI camera (lenses up to 90° FOV) and for CSLaser LT and CTlaser LT. The integrated heating and the blower result in an extended operating temperature. An optional visual camera is also available and can be also integrated to your process.



- Avoid abrupt changes of the ambient temperature.
- Avoid mechanical violence – this may destroy the system (expiry of warranty).
- If you have any problems or questions, please contact our service department.



Read the manual carefully before the initial start-up. The producer reserves the right to change the herein described specifications in case of technical advance of the product.

1.2 Warranty

Each single product passes through a quality process. Nevertheless, if failures occur please contact the customer service at once. The warranty period covers 24 months starting on the delivery date. After the warranty is expired the manufacturer guarantees additional 6 months warranty for all repaired or substituted product components. Warranty does not apply to damages, which result from misuse or neglect. The manufacturer is not liable for consequential damage or in case of a non-intended use of the product.

If a failure occurs during the warranty period the product will be replaced, calibrated or repaired without further charges. The freight costs will be paid by the sender. The manufacturer reserves the right to exchange components of the product instead of repairing it. If the failure results from misuse or neglect the user has to pay for the repair. In that case you may ask for a cost estimate beforehand.

1.3 Scope of Supply

- Protection housing with integrated heating incl. protection window or foil window and air purge laminar
- Optional: visual camera with installation description
- Operators manual

2 Technical Data

2.1 General Specifications

Temperature range	-40 °C ... +50 °C
Heating	PTC heater (automatically starting at T < 15 °C) / fan for homogeneous temperature distribution ¹⁾
Power supply	24 V DC
Power	70 W
Current draw	3 A (short term: 6 A)
Protective window ²⁾	Germanium (Ge), zinc sulfide (ZnS), Borofloat or foil
Environmental rating	IP66
Air purge laminar	Integrated
Air pressure	Absolute pressure 1,1 - 8 bar at 20 -100 l/min
Max. FOV	90 ° (HFOV)
Integrated additional components	USB-Server Gigabit / Industrial Process interface (PIF)
Material	Aluminum
Weight	2 kg (with wall mount 2,5 kg)

¹⁾ The fan is switched parallel to the heater. When the heater starts, the fan will also run.

²⁾ There is no protection window for the Xi version

2.2 Dimensions

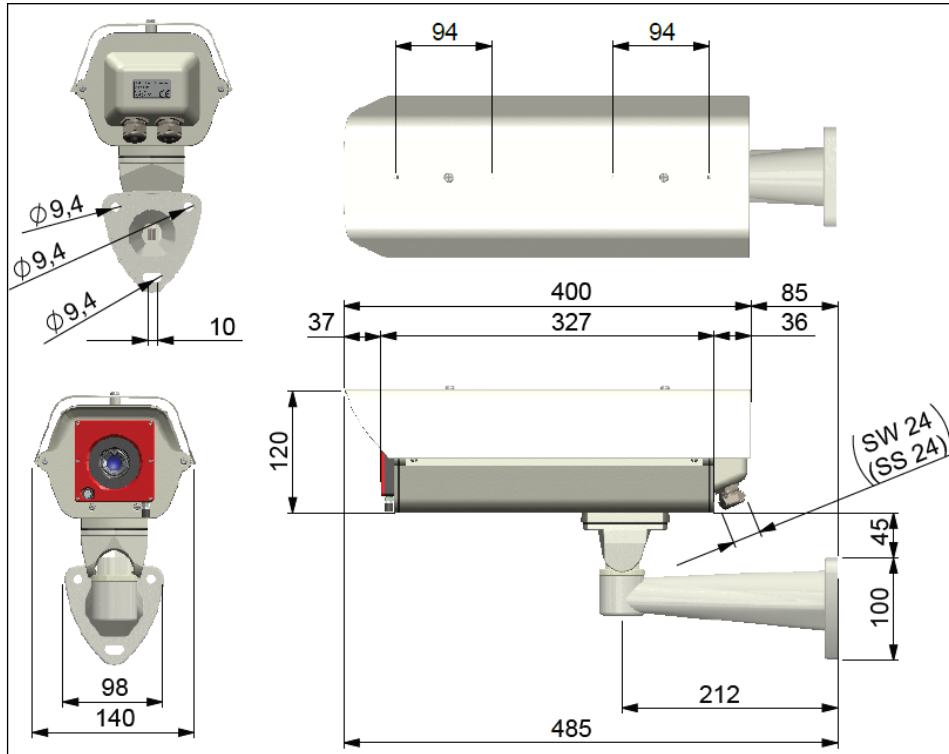


Figure 1: Dimensions [mm] with wall mount

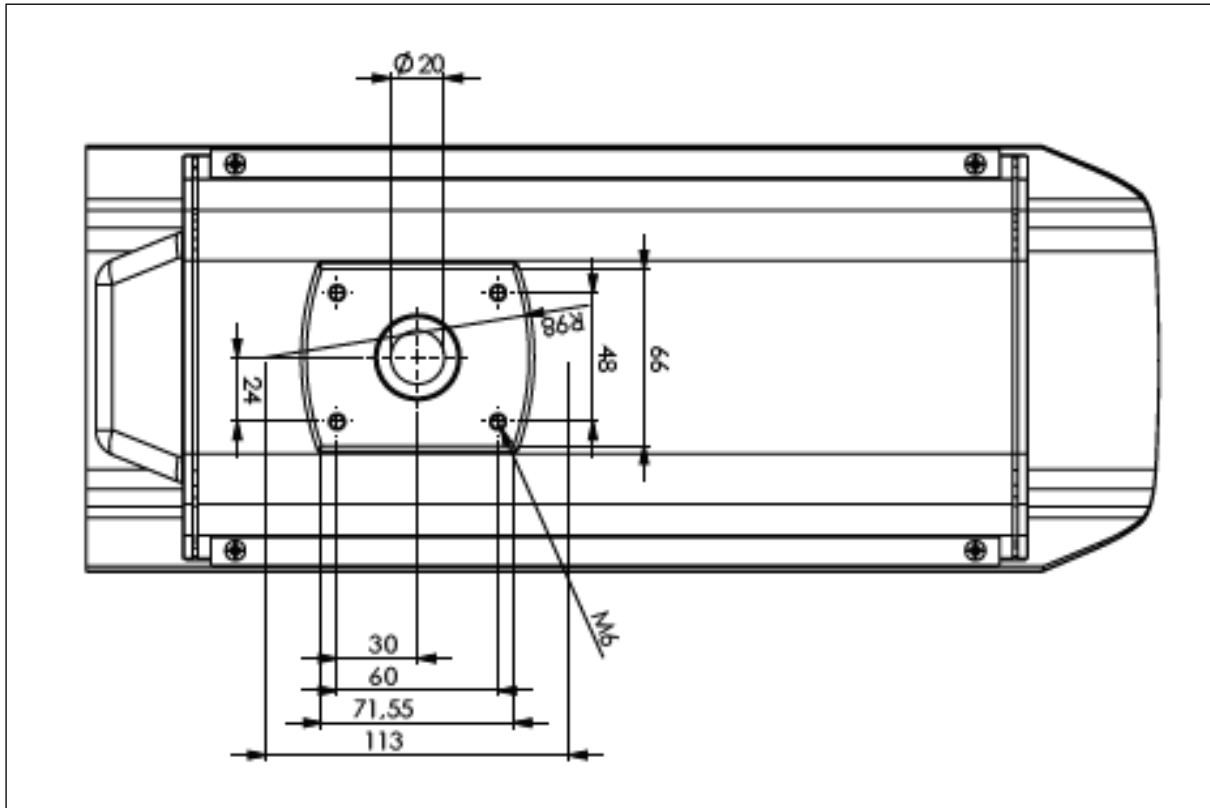


Figure 2: Dimensions for wall mount

2.3 Electrical Connections

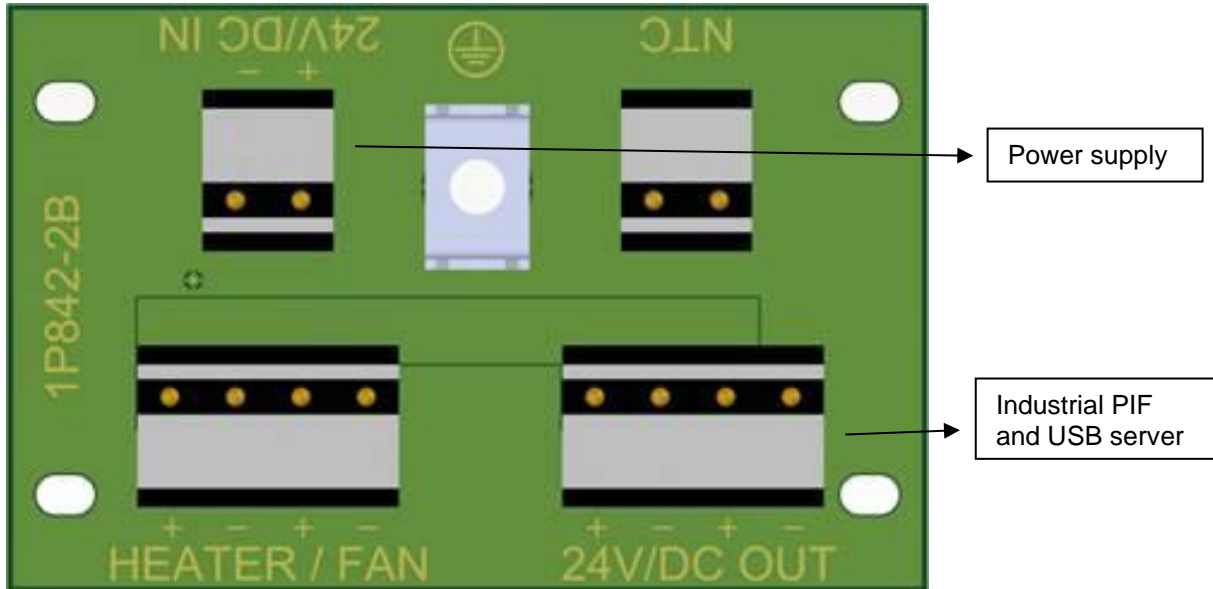


Figure 3: Connection circuit board

2.4 Air Purge Laminar

The lens must be always kept clean from dust, smoke, fumes, and other contaminants in order to avoid reading errors. These effects can be reduced by using an air purge laminar. Make sure to use oil-free, technically clean air only.



The needed amount of air (approx. 20...100 l/min.) depends on the application and the installation conditions on-site. Pipe connection of air purge laminar is 6x4 mm.

2.5 Protective window

Protective window	Description	Spectral range	Transmission ¹⁾
Germanium	Protective window (50,8 x 3 mm/ Ge) for PI 450i G7, 640i G7	7,9 µm	0.96
	Protective window (50,8 x 3 mm/ Ge) for PI 400i, 450i, 640i	8-14 µm	0.92
Zinc sulfide	Protective window (50,8 x 3 mm/ ZnS) for PI 450i G7, 640i G7	7,9 µm	0.93
	Protective window (50,8 x 3 mm/ ZnS) for PI 400i, 450i, 640i	8-14 µm	0.91
	Protective window (50,8 x 3 mm/ ZnS) for LT models of CTlaser-, CSLaser serie	8-14 µm	0,91
Borofloat	Protective window (50,8 x 3 mm/ Borofloat 33) for PI 1M, 08M, 05M	0,85-1,1 µm, 780-820 nm, 500-540 nm	0.92

¹⁾ The displayed values are standard values and can vary between different delivery units.



When using the foil **[part number: ACOPHSF]**, the transmission must be set on 0.85 (deviations possible).

3 Installation

3.1 Electrical installation (w/o visible camera)

Loosen the two screws and open the outdoor protective housing, as shown in **Figure 4**.



Figure 4: Opening the housing

Inside the protective housing is the electronic circuit board, where all loads are connected (see **Figure 3**). The heating element and the fan are already integrated and connected. To supply the outdoor protective housing

with voltage, you must connect a 24 V line. This is connected to the marked side of the board. Observe the correct polarity and ensure that no voltage is present. The USB server and the industrial PIF are connected to the board as shown and are supplied by 24 V.

To get the cables into the housing, you must loosen the two cable glands, as shown in **Figure 6**. On the left side is a cable gland with 8 mm sealing insert and on the right is a cable gland with two 6 mm sealing inserts. It is recommended to pull the Ethernet cable or the USB cable through the 8 mm sealing insert. The PIF cable and the 24 V cable are passed through the two 6 mm sealing inserts.



Figure 5: Cable glands on the backside of the outdoor protective housing

Cable gland 1	Cable gland 2
1 x 8 mm sealing insert	2 x 6 mm sealing insert
For Ethernet or USB cable	For PIF cable and 24 V line



To get the Ethernet cable with a plug through the opening, you have to cut the rubber insert.

3.2 Installation (with visible camera) [hier Variante B]

Connect the network cable to a PoE

3.3 Mounting of the USB server

Insert the USB server at a slanted angle to the designated disk (**Figure 6**). If necessary, remove the clip from the USB server (**Figure 7**) and turn the USB server (**Figure 6**) until the clip is locked into the bracket (**Figure 8**).

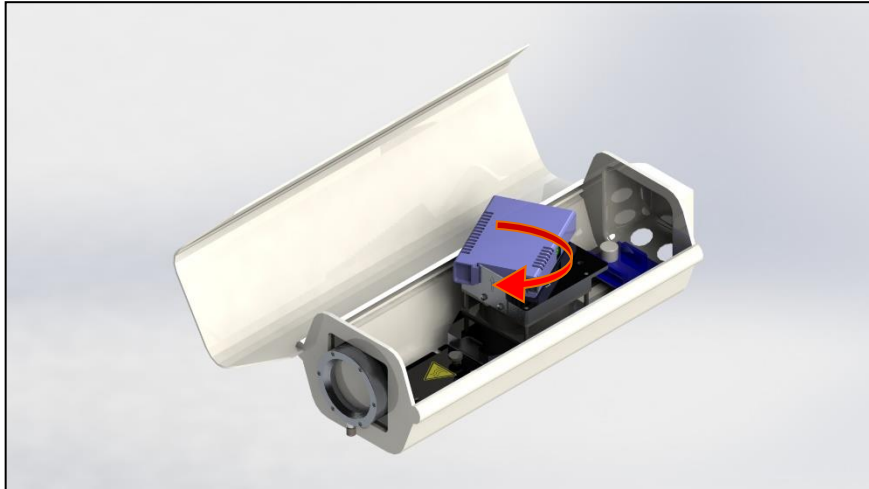


Figure 6: Insertion of the USB server into the provided board



Figure 7: USB server clip



Figure 8: USB server holding plate

The USB server is now ready mounted (**Figure 9**):

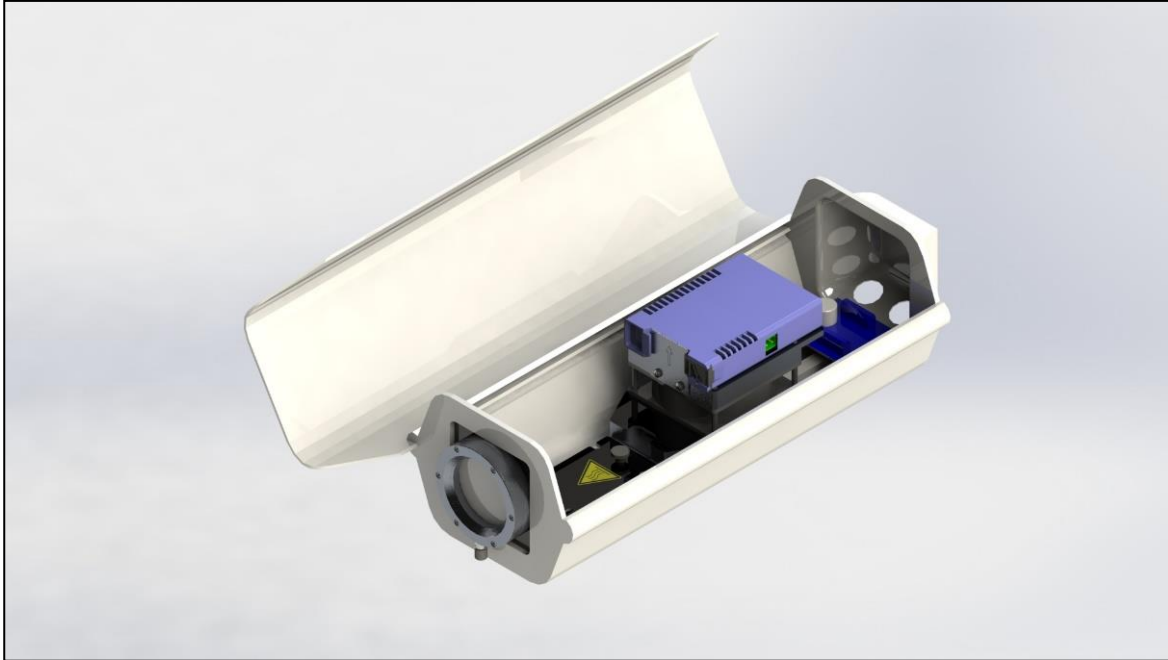


Figure 9: USB server ready mounted

3.4 Mounting of the PI camera

Step 1: Loosen the knurled screw from the mounting plate (**Figure 10**).

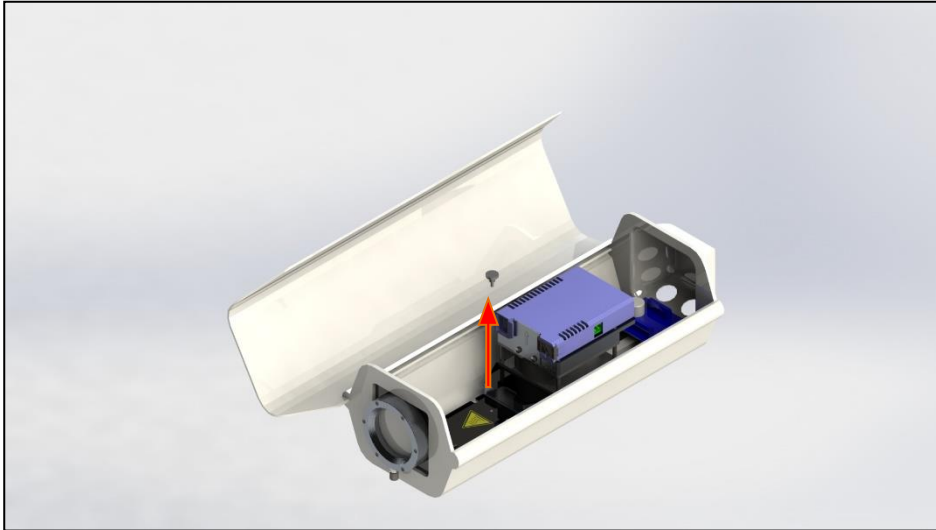


Figure 10: Loosen the knurled screw from mounting plate

Step 2: Carefully remove the mounting plate (**Figure 11**).

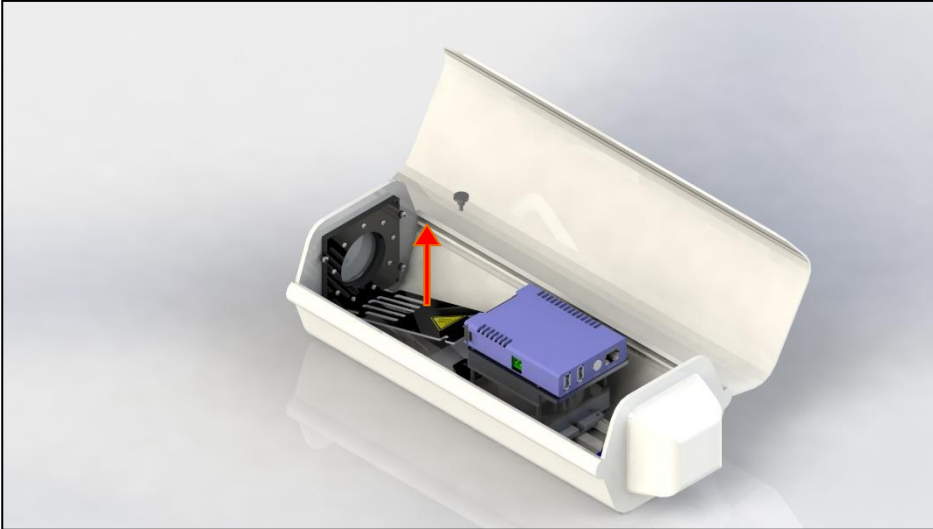


Figure 11: Remove the mounting plate

Step 3: Mounting the PI cameras

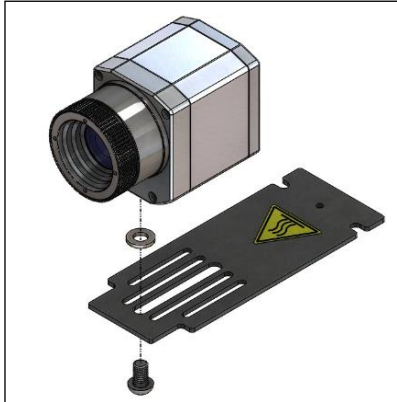


Figure 12: PI 400i/ 450i/ 640i/ 1M/ 08M/ 05M attachment

Mount the PI 400i/ 450i/ 640i/ 1M/ 08M/ 05M to the mounting plate using the supplied 1/4 x 3/8 UNC inch screw and a washer DIN125A-6,4 A2 (**Figure 12**).

After the camera is fully assembled, the mounting plate can be attached back to the outdoor protective housing with the provided screw.

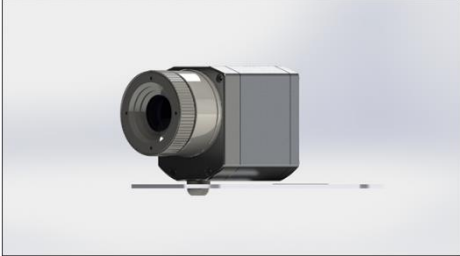


Figure 13: Fully assembled PI camera on mounting plate

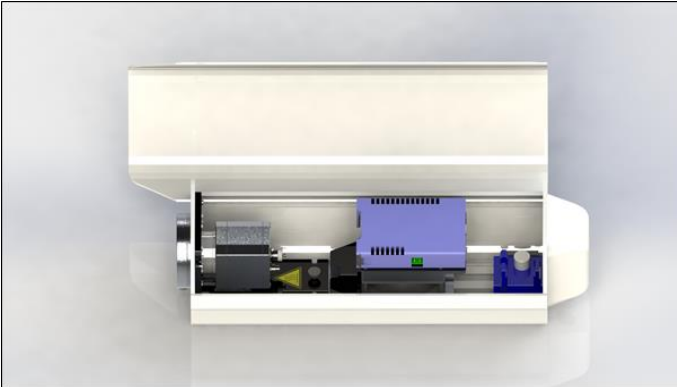


Figure 14: Fully assembled PI camera in outdoor protective housing

3.5 Mounting of the Xi camera

Loosen the mounting nut and mounting bracket from the Xi camera. Now screw the camera into the provided adapter plate. For an exact positioning of the camera, the camera can also be attached by turning the clamping ring.



Figure 15: Xi camera mounted in adapter plate

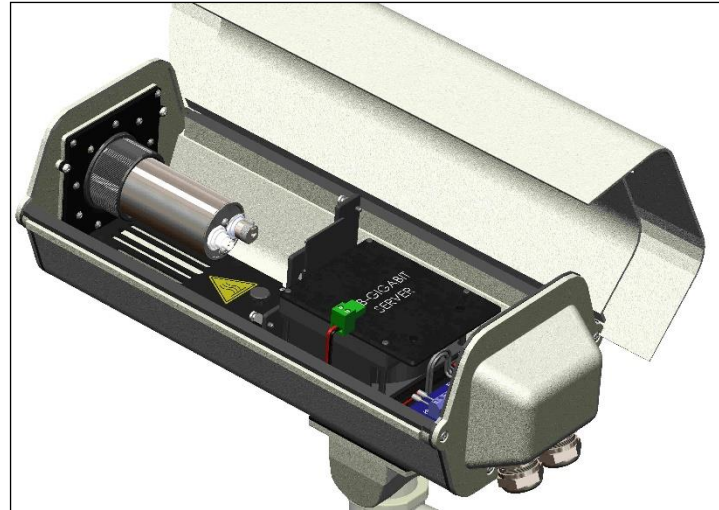


Figure 16: Fully assembled Xi camera in outdoor protective housing

3.6 Mounting of CSLaser/CTlaser

Follow steps 1 and 2 as described in chapter 3.4.

Mounting of CSLaser/CTlaser

Attach the device with the corresponding bracket. Mount the CSLaser or CTlaser to the mounting plate using the supplied 1/4 x 3/8 UNC inch screw and a washer DIN125A-6,4 A2 (**Figure 17**).



- Note that the connector is facing outward to allow you to connect the cable.
- The electronics box of the CTlaser must be installed outside the protective housing.

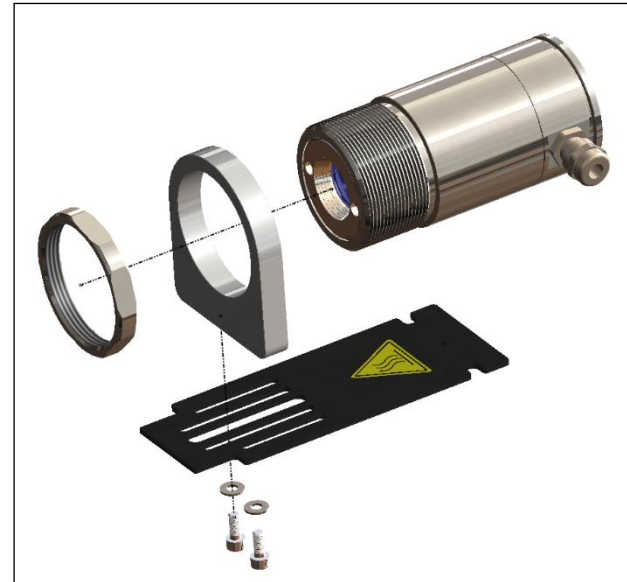


Figure 17: CSLaser/CTlaser attachment

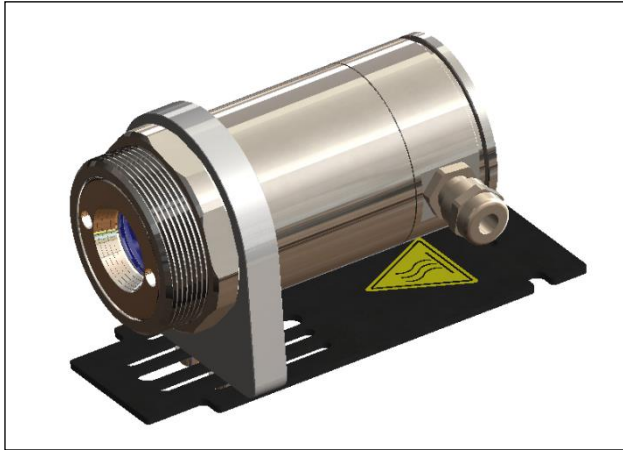


Figure 18: Mounted CSLaser or CTlaser on the mounting plate

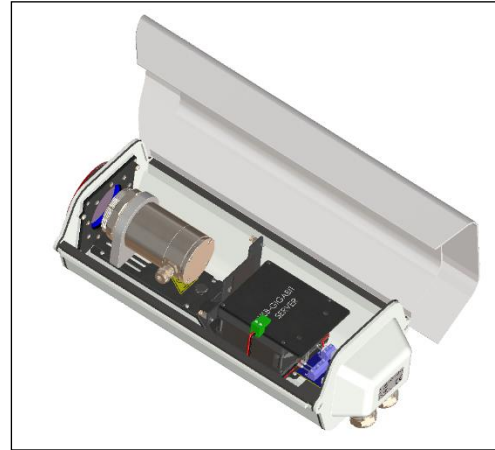


Figure 19: CSLaser or CTlaser in outdoor protective housing

4 Accessoires

4.1 Visual Camera

In addition to an infrared image, you can integrate a visual image into your process and see simultaneous two images, infrared with all the temperature information and visual image. This is an ideal combination for fire prevention and condition monitoring applications. The visual image has a resolution of maximum 1920 x 1080 pixels. We recommend using this combination with an USB server, in this case you can use the infrared camera and the visual camera just with one network cable, the system can be powered over ethernet. Both images can be integrated easily to your video surveillance software, e.g.: iSpy, or other.

4.2 Industrial Process Interface (PIF)

In addition to the installation of the camera and the USB server, the industrial PIF (without housing) can be integrated into the outdoor protective housing as shown in **Figure 20**. The industrial PIF without housing can be purchased under the order number **ACCJAPIPIFMA** (for PI series and Xi 400) or under **ACOPHXIPIF** (Xi 80/ 410).



Figure 20: Outdoor protective housing with industrial PIF



Before the industrial PIF is attached, the camera must be installed in the outdoor protective housing (see chapter **3.4 Mounting of the PI camera** or **3.5 Mounting of the Xi camera**).

4.3 Wall mount

The outdoor protective housing can be attached to a wall using a wall mount. This is available as an option under the part number **ACOPHWM**.



Figure 21: Outdoor protective housing with wall mount



The wall bracket is mandatory for a mounting of the protective housing!

5 Replacement of protective foil / protective window

If necessary, the protective foil of the outdoor protective housing can be replaced (only for **Part-Number: ACPIOPHF**). To change the protective foil a screwdriver and a scalpel is needed.

5.1 Disassembling air purge laminar

Step 1: Unscrew the 9 screws from the adapter plate using a screwdriver and remove them together with the washers.

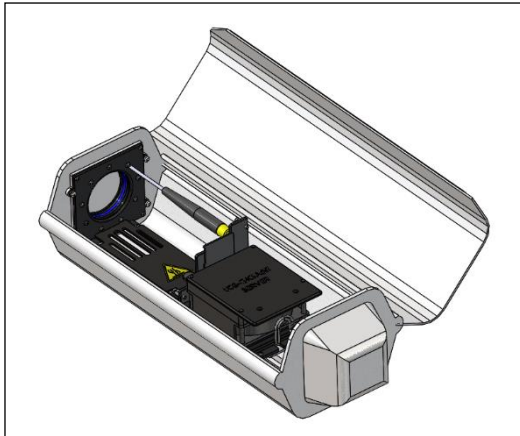


Figure 22: Unscrew the screws

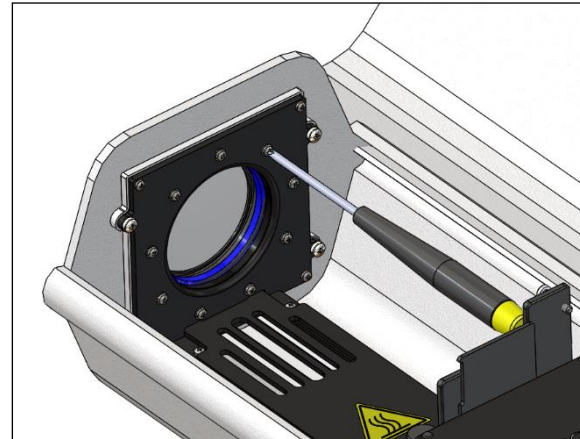


Figure 23: Loosen 9 screws from the adapter plate

Step 2: Gently remove the air purge laminar with O-ring 1.

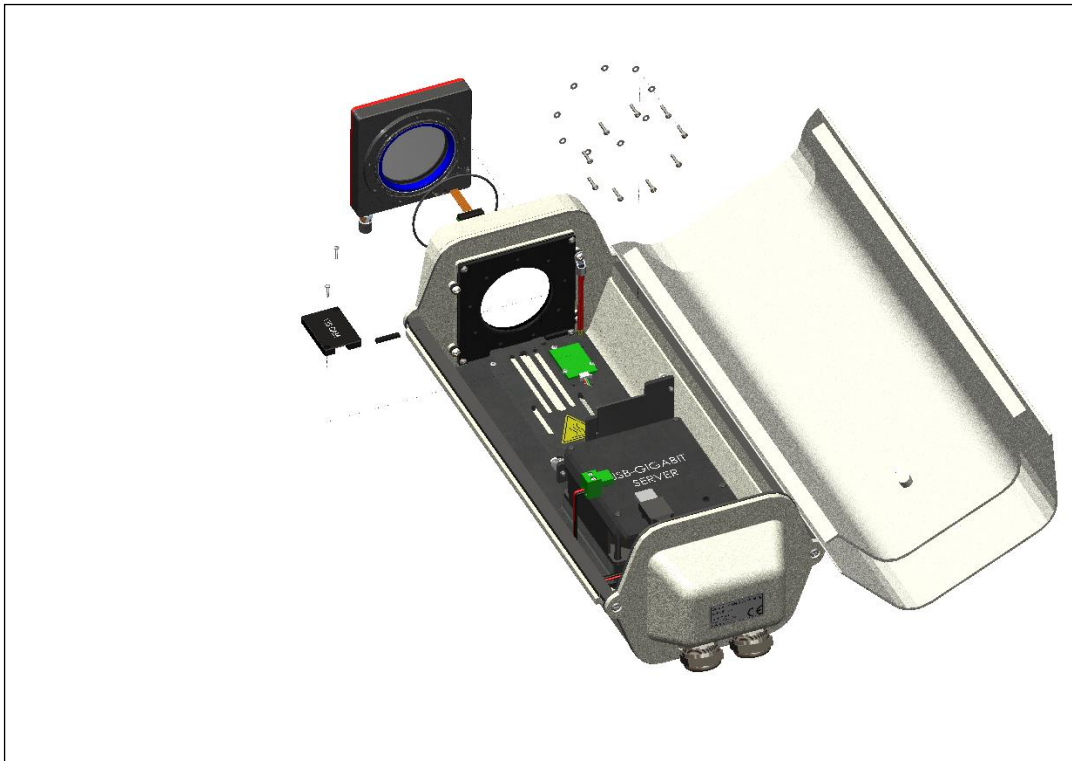


Figure 24: Remove air purge laminar

5.2 Removing and inserting the protective foil

Step 1: Remove the old protective foil by removing the tension ring attachment and the tension ring.

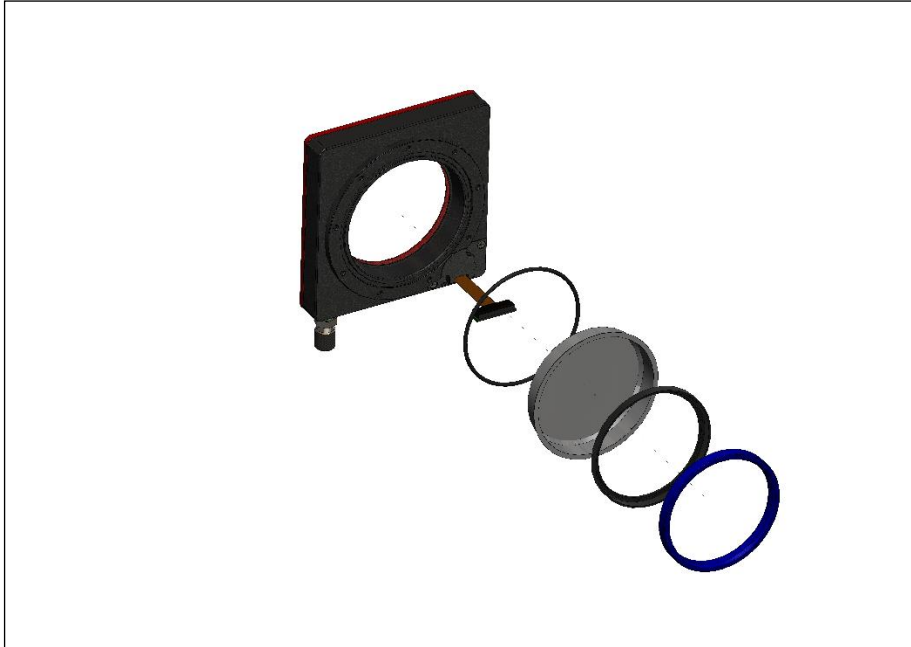


Figure 25: Remove old protective foil

Step 2: Replace the old protective foil with the new protective foil.

Step 3: Insert the O-ring 2 in the air purge laminar.

Step 4: Place the protective foil on the center of the air purge laminar and press it with the aid of the tension ring and the tension ring attachment until the tension ring attachment is level with the air purge laminar.

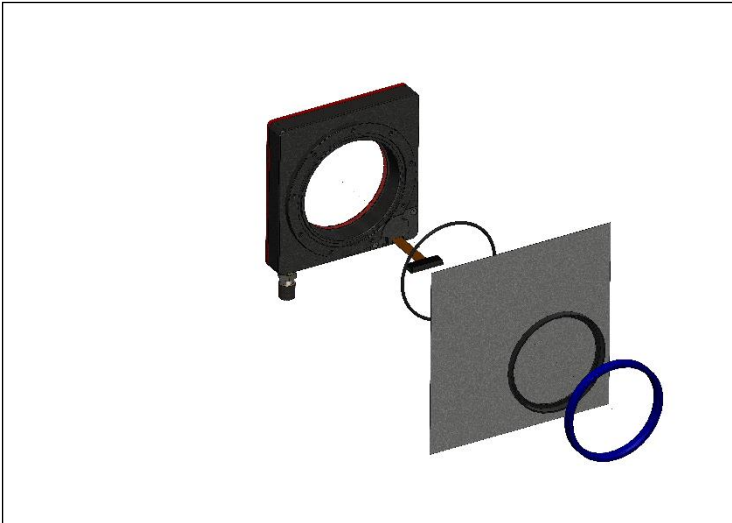


Figure 26: Insert new protective foil

5.3 Cut the protective foil

Step 1: Take a scalpel and cut along the inside of the nut.

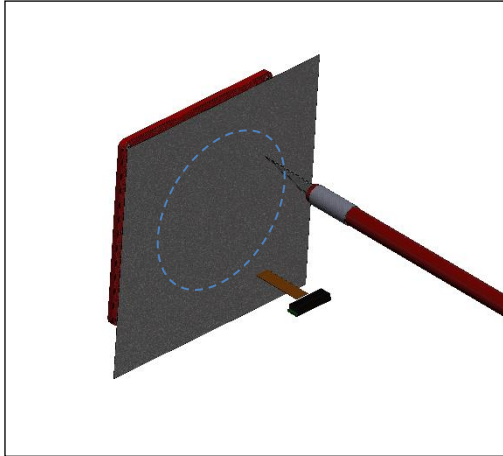


Figure 27: Cut the protective foil with the scalpel

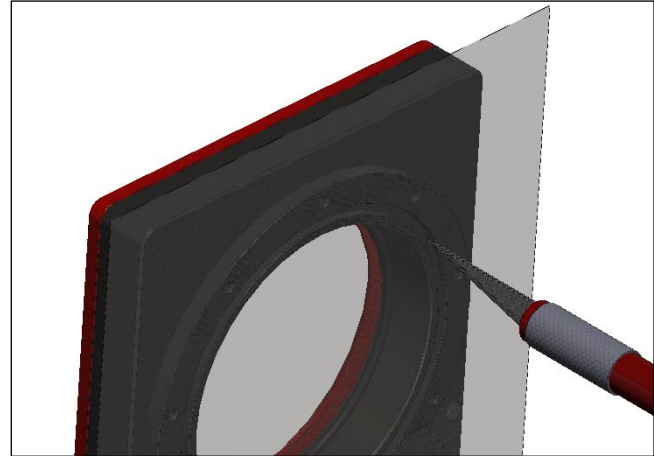


Figure 28: Cut the protective foil along the nut inner surface

Step 2: Insert the O-ring 1 into the nut of the air purge laminar and repeat the steps in chapter 5.1 reverse. Make sure that the air purge laminar is pressed against the adapter plate when you tighten the screws again!

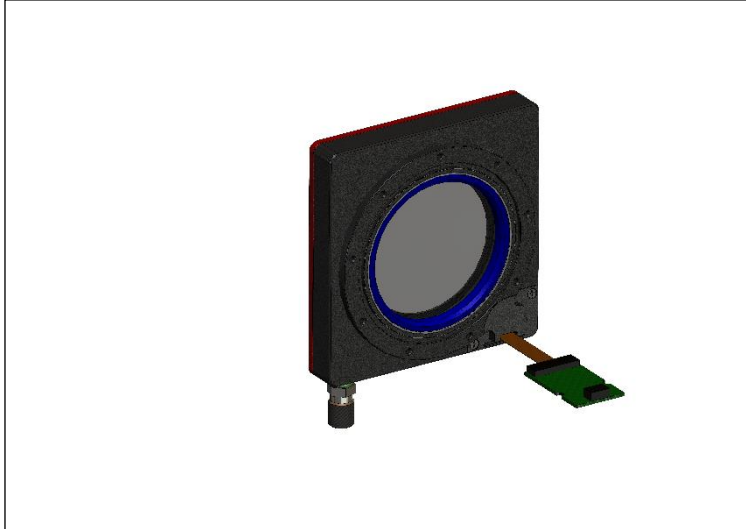


Figure 29: Air purge laminar

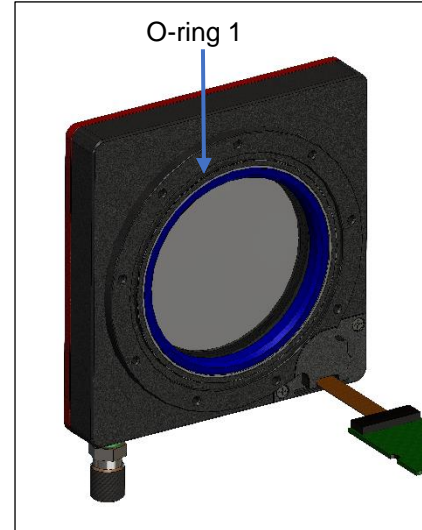


Figure 30: Insert O-ring 1 in air purge laminar

5.4 Assembly protective window

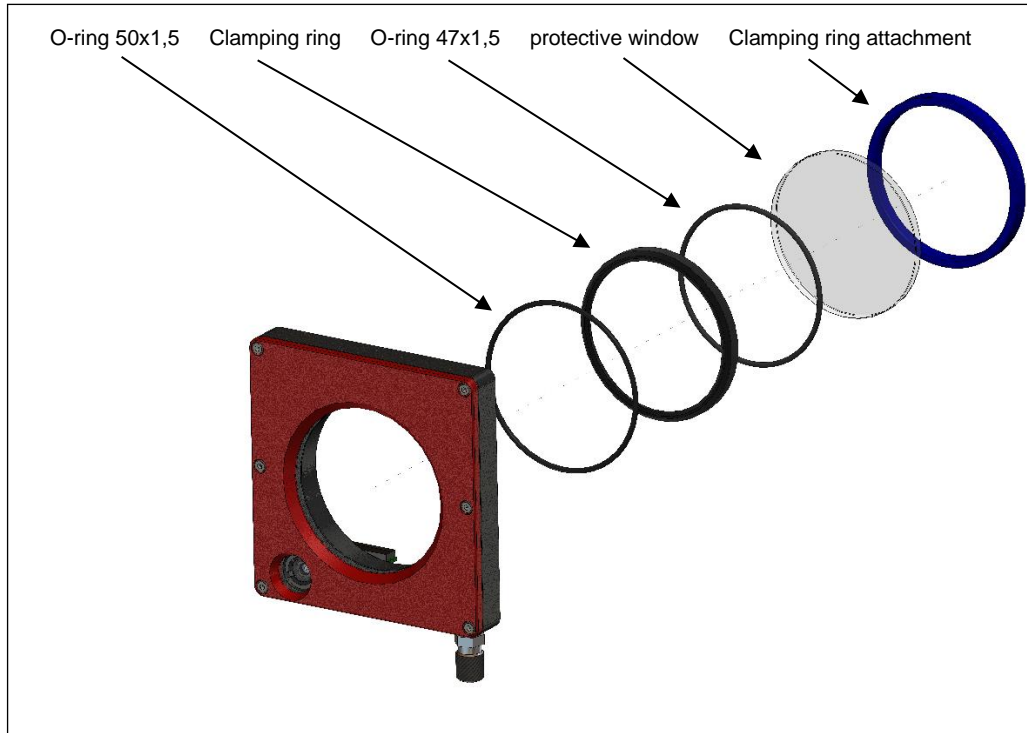


Figure 31: Assembly protective window

Appendix A - Declaration of Conformity

EG-Konformitätserklärung EU Declaration of Conformity



Wir / We

Optris GmbH
Ferdinand Buisson Str. 14
D-13127 Berlin

erklären in alleiniger Verantwortung, dass
declare on our own responsibility that

die Produktserte optris Outdoor-Schutzgehäuse
the product group optris Outdoor protective housing

den Anforderungen der EMV-Richtlinie 2014/30/EU und der allgemeinen Produktsicherheitsrichtlinie 2001/95/EG entspricht.
meets the provisions of the EMC Directive 2014/30/EU and the General Product Safety Directive 2001/95/EC.

Dieses Produkt erfüllt die Vorschriften der Richtlinie 2015/863/EU (RoHS) des Europäischen Parlaments und des Rates vom 4. Juni 2015 zur Beschränkung der Verwendung bestimmter gefährlicher Stoffe in Elektro- und Elektronikgeräten.
This product is in conformity with Directive 2015/863/EU (RoHS) of the European Parliament and of the Council of 4 June 2015 on the restriction of the use of certain hazardous substances in electrical and electronic equipment.

Angewandte harmonisierte Normen / Applied harmonized standards:

EMV Anforderungen / EMC General Requirements:
EN 61326-1:2013 (Grundlegende Prüfanforderungen / Basic requirements)
EN 61326-2-3:2013

Gerätesicherheit von Messgeräten / Safety of measurement devices:
EN 61010-1:2010
EN 60825-1:2014 (Lasersicherheit / Laser safety)

Beschränkung gefährlicher Stoffe / Restriction of hazardous substances:
EN IEC 63000:2018

Berlin, 21.12.2021

Ort, Datum / place, date



Dr. Ulrich Kienitz
Geschäftsführer / General Manager

optris Outdoor protective housing-MA-E2022-10-A