

InTemp™

Monitoring Solutions

CX400 Series



Advantages

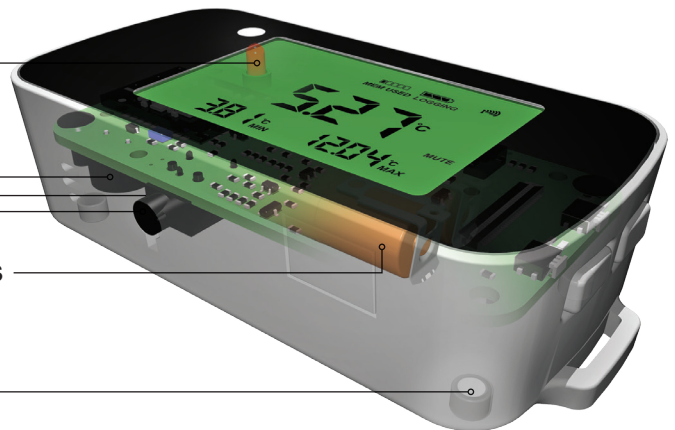
- Easy-to-read display with current and daily min/max temperatures
- Audible and visual alarms
- Bluetooth transmission of data and alarm states
- Logger set up and download of data in seconds – without a PC or cable
- +/- 0.5C accuracy for reliable temperature readings
- Battery-powered to guard against local power loss
- Several Glycol bottle/ probe-only options available
- Optional ISO 17025 compliant calibration service (NIST included)

Effortless temperature-controlled storage monitoring and compliance

The new InTemp CX400 Series is a family of high-performance data loggers for monitoring temperatures in refrigerators, freezers, and other temperature-controlled environments.

Designed to simplify compliance with CDC guidelines for vaccine monitoring, InTemp loggers dramatically simplify your process by streamlining daily temperature checks, speeding up logger setup and download, and reducing your paper trail burden.

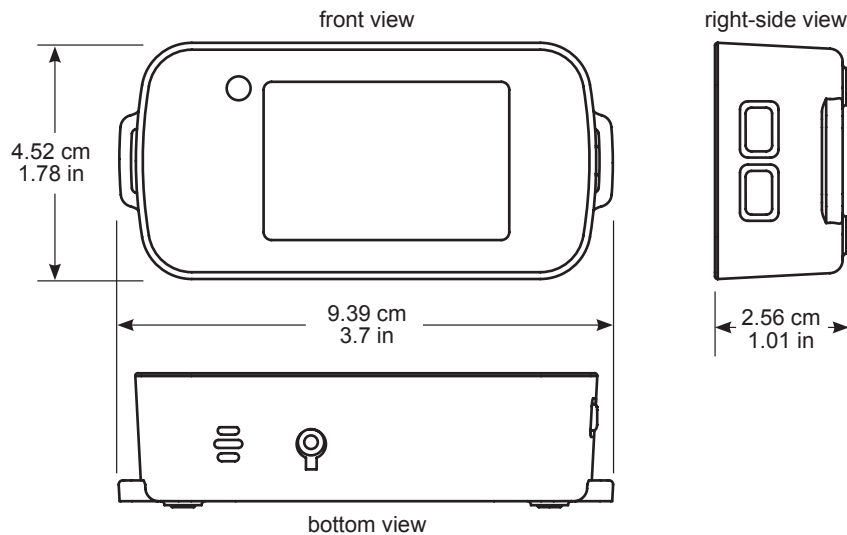
- LED visual alarm
- Audible alert
- Integrated temp sensor
- Temp probe connection
- User replaceable AAA batteries
- Mounting magnets



ONSET®

Technical Specifications

Part number	CX402	CX403
Memory	35,000 measurements	
Logging Rate	User customizable intervals and thresholds via InTemp App	
Probe (external)	Detachable 2 or 4 meter flat ribbon cable with or without an integrated 5, 15, or 30 ml bottle glycol buffer solution Range: -40° to 100° C (-40° to 212° F) Accuracy +/- 0.5° C from 0° to 50° C (+/- 0.9° F from 32° to 122° F)	N/A
Ambient (internal)	Internal Sensor Range: -30° to 70° C (-22° to 158° F) Accuracy: +/- 0.5° C from 0° to 50° C (+/- 0.9° F from 32° to 122° F)	
Bluetooth Compatibility	Wireless protocol: Bluetooth Low Energy, Bluetooth Smart, 4.0 Transmission range: 30.48 m (100 ft) line-of-sight	
Alarms	Visual LED & audible	
Software	InTemp™ app: free download from iTunes App Store or Google Play Store	
Power	Battery Type: two AAA 1.5 V alkaline batteries, user replaceable Battery Life: 1 year typical	
Ratings	Certifications: CE, FCC, Environmental: IP54	
Mobile Device Compatibility	iOS 8.3, 8.4, 9.0, 9.1, 9.2 / Android (pending) 4.4, 5.0, 5.1	



Contact

Email Jamie_Pearce@onsetcomp.com
 Call 1-508-743-3361
 In U.S. toll free 1-800-564-4377
 Fax 1-508-759-9100

ONSET®

Onset Computer Corporation
 470 MacArthur Boulevard
 Bourne, MA 02532