

TX100 pH/mV Loop-Powered Transmitter



Specifications

Measuring Range (pH)	0.00 to 14.00pH, 0.01 pH resolution, +/- 0.01 accuracy
Measuring Range (ORP/mV)	-1999mV to 1999mV, 1mV resolution, +/- 2mV accuracy
Temperature Range	-20 deg C to 110 deg C / -4 deg F to 230 deg F, 0.1 deg C/F resolution
Current Output Range	2.00mA to 24mA, .01mA resolution, +/-0.005mA accuracy, 500V input/output isolation
Enclosure	NEMA 4X IP65, ABS case with push-button control pad HWD: 3.9" (99.1 mm) x 3.9" (99.1 mm) x 2.9" (74.7mm)
Weight	approx. 1lb (.45kg)
Mounting Options	Wall, panel, din rail and pipe
Conduit Openings	2 each 3/8" NPT openings (cordgrips included)
Ambient Temperature	Transmitter Service, 0 deg C to 60 deg C / 32 deg F to 140 deg F
Ambient Humidity	0 to 95%, non-condensing
Location	Designed for non-hazardous areas
Temperature Input	2-wire Pt1000 RTD with automatic compensation
Max Sensor-to-Transmitter Distance	30 feet (9.1 meters)
Power Requirement	12-24 VDC, max 600Ohm load

Parts covered by this product data sheet include: TX100

Voltage isolated (500 V) 4-20mA Output

Non-volatile memory retains all stored configurations and calibration data

Output Current Indicator for Out-of-Range and Hold Conditions prevents discrepant readings

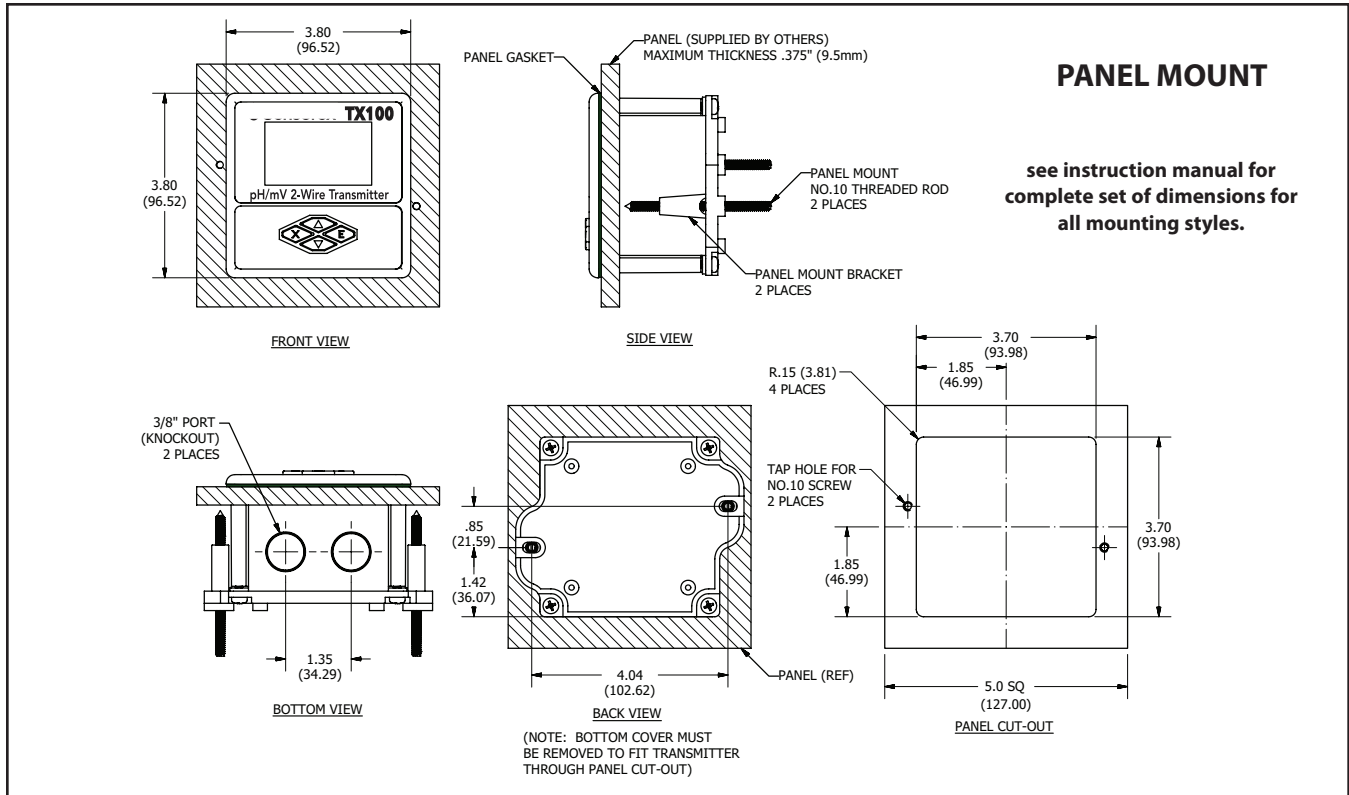
Large segmented display indicates pH or mV and Temperature simultaneously

Flashing screen icons indicate mode of operation

Programmable Probe Clean reminder flashes when it is time to clean probe (programmable from 1 to 250 days)

The TX100 pH/mV transmitter is a loop-powered 4-20mA transmitter with a wide range of useful features and programmable options. Five buffer choices are available in two-point calibration mode. The 4-20mA output is scaleable in pH or mV units and has 500V input to output isolation. Temperature is always displayed and is selectable in degrees C or deg F. All stored parameters and calibration data are retained in the non-volatile memory during transmitter power down or power loss. A useful probe clean reminder icon flashes when it is time to clean the probe. Probe cleaning interval is user programmable from 1 to 250 days. The TX100 can be used for wall mounting, panel mounting, pipe mounting and DIN-rail mounting. Cable grips for inlet/outlet to box are included as well as all mounting hardware. The case meets NEMA and IP ratings for water resistance.

TX100 pH/mV Loop-Powered Transmitter



Wall Mount, DIN Rail Mount and Pipe Mount Hardware are all included

Ordering Information

The TX100 2-wire isolated pH/ORP transmitter is supplied complete with mounting hardware for panel, wall, din rail and pipe mounting with instructions. *Power supply is not included.*

Model

TX100	Isolated pH/ORP 2-wire transmitter in 1/4 DIN case, requires 24V DC power supply (customer supplied)
-------	--

Accessories

B104	pH4.01 buffer, 1 pint US
------	--------------------------

B107	pH4.01 buffer, 1 pint US
------	--------------------------

B110	pH4.01 buffer, 1 pint US
------	--------------------------

Note: NIST traceability certificates available upon request at time of purchase.

C110	pH/mV simulator, troubleshooting tool
------	---------------------------------------