



### **Digital display AKV-2VR4C Wall-type unit for standard signal measuring 4-digit**

- Digit height: 20 mm
- Colour: red
- Display range: -999...9999
- Wall-type housing: black, RAL9005
- Protection class: IP65
- Dimensions: 120 x 130 mm, Depth 60 mm
- Supply: 230 VAC
- Sensor supply: 24 V / 50 mA
- Measuring input: 0-10 VDC, 0/4-20 mA
- 2 relay outputs
- 10 points linearisation
- Offset default
- Tara- / Hold-function

# Wall-type devices

- Standard signals

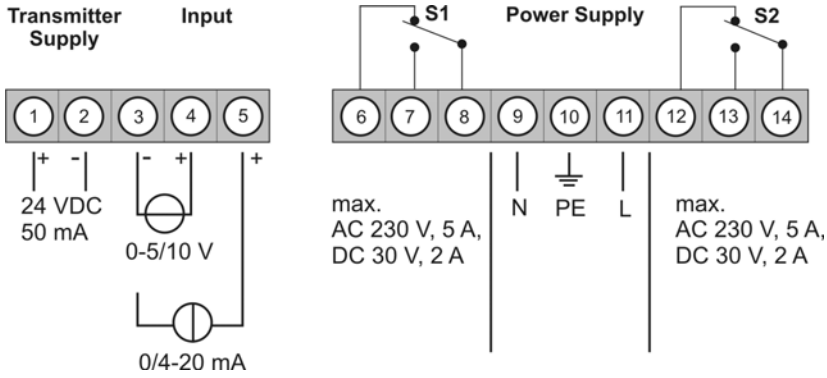


ORDERING NUMBER

EUR

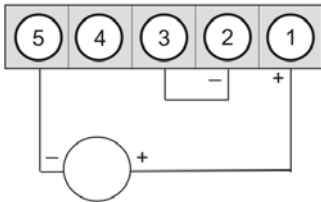
**AKV-2VR4C.0301.572AD**

335,00

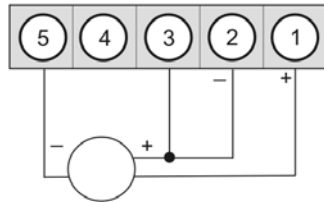


## Connection pictures by use of the sensor supply

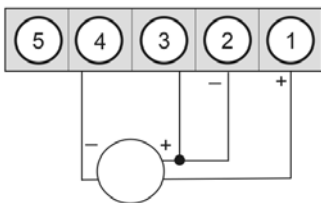
2-wire sensor 4-20 mA



3-wire sensor 0-20 mA



3-wire sensor 0-5 V / 0-10 V



# Technical data

## Housing

|                  |   |
|------------------|---|
| Dimensions       | 160 x 130 x 60 mm (WxHxD)   |
| Weight           | max. 430 g  |
| Fixing           | 4 fixing holes in the bottom part of the housing  |
| Material         | ABS-plastics (UL94V-0)  |
| Colour           | black, RAL9005  |
| Protection class | standard IP65   |
| Connection       | removable screw clamps; wire cross-section up to 2.5 mm <sup>2</sup><br>wire feeding via PG9 screw connection |

## Display

|                |                               |
|----------------|-------------------------------|
| Digit height   | 20 mm                         |
| Segment colour | red                           |
| Display range  | -999...9999                   |
| Setpoints      | one LED per setpoint          |
| Overflow       | horizontal bars at the top    |
| Underflow      | horizontal bars at the bottom |
| Display time   | 0.1...10.0 seconds            |

## Input

|                            | Measuring range | R <sub>i</sub> approx. | Measuring fault<br>[%] of measuring range | Digit |
|----------------------------|-----------------|------------------------|---|-------|
| Measuring range /          | 0...10 V        | 150 kΩ                 | 0.1                                       | ± 1   |
| Input resistance /         | 0...5 V         | 150 kΩ                 | 0.1                                       | ± 1   |
| Measuring fault            | 0...20 mA       | 100 Ω                  | 0.1                                       | ± 1   |
| (measuring time =1 second) | 4...20 mA       | 100 Ω                  | 0.1                                       | ± 1   |

|                               |                               |          |
|-------------------------------|-------------------------------|----------|
| Temperature drift             | all measuring inputs          | 50 ppm/K |
| Measuring time = display time | 0.1...10.0 seconds            |          |
| Measuring principle           | Voltage-/Frequency conversion |          |
| Resolution                    | approx. 20 bit                |          |
| (at 1 second measuring time)  |                               |          |

## Output

|                      |  |
|----------------------|--|
| Relay                | switch-over contact  |
| Switching cycles     | 230 VAC 5 A or 30 VDC 2 A (cos φ = 1); at ohm resistive load<br>0.5 * 10 <sup>5</sup> at max. contact burden<br>5 * 10 <sup>6</sup> mechanically |
| Sensor supply        | Division according to DIN EN 50178   |
| (galvanic insulated) | Variables according to DIN EN 60255<br>24 VDC; 50 mA   |

## Power pack

|                      |                            |
|----------------------|----------------------------|
| Voltage supply       | 230 VAC / 50/60 Hz / ±10 % |
| (galvanic insulated) |                            |

Power consumption

max. 8 VA

## Memory

Daten life

Parameter memory EEPROM

## Ambient conditions

|                     |   |
|---------------------|---|
| Working temperature | 0...60 °C   |
| Storing temperature | -20...80 °C                                       |
| Climatic density    | rel. humidity ≤ 75 % on years average without dew |

## EMV

DIN 61326

## CE-sign

Conformity to 89/336/EWG

## Safety requirements

DIN 61010