

The following unit ranges with different features are listed according to their performance capacity. Find the reference in the foot line of the pertaining unit series.

## Assembly dimension

**72x24**

Counter (page 1)

**PC4**

- 24 VDC galvanically insulated
- 4-digit
- Character height 14 mm
- Forward-/ backward counting, count value memory, factorisation, drop out delay, counter reset
- 2 setpoints, connectable basic divider, adjustable reset source, frequency division, operating hour counter

## Assembly dimension

**72x36**

Counter (page 9)

**PC4**

- 24 VDC galvanically insulated
- 4 digit
- Character height 14 mm
- Foil keyboard
- Forward-/ backward counting, count value memory, factorisation, drop out delay, counter reset
- 2 setpoints, connectable basic divider, adjustable reset source, frequency division, operating hour counter

## Assembly dimension

**96x24**

Counter (page 17)

**PC6**

- **230 VAC or 115 VAC**
- 24 VDC galvanically insulated
- **6-digit**
- Character height 14 mm
- Forward-/ backward counting, count value memory, factorisation, drop out delay, counter reset
- 2 setpoints, connectable basic divider, adjustable reset source, frequency division, operating hour counter

## Assembly dimension

**96x48**

Counter (page 25)

**PC6**

- **230 VAC or 115 VAC**
- 24 VDC galvanically insulated
- **6-digit**
- **Sensor supply**
- Character height 14 mm
- Forward-/ backward counting, count value memory, factorisation, drop out delay, counter reset
- 2 setpoints, connectable basic divider, adjustable reset source, frequency division, operating hour counter

Counter



## **Counter 4-digit**

### **PC4**

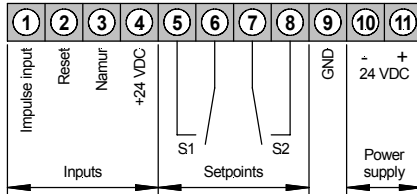
- Character height 14 mm
- Start/stop or gate time input
- Programmable slope triggering
- Input filter
- Setpoints
- Protection IP54 standard

# Counter

- Handling rear side



## • Impulse counter



Power supply 24 VDC  
(galvanic insulated)

ORDER NUMBER OF TYPE    EUR  
(without options)

**PC 4.0003.5752B**    250,00

## OPTIONS

	PC4...	Additional price
		EUR
Green LED on demand	x	
Protection IP65 at the front (operation back side)	x	10,25
<b>Other power supplies on demand</b>		

## Technical data

<b>Housing</b>	Dimension Assembly cut out Fastening Wall thickness Housing material Protection Weight Connection	72 x 24 x 107 mm (WxHxD) including plug in terminal 68.0 <sup>+0.7</sup> x 22.0 <sup>+0.6</sup> mm special quick plastic clasp 0-50 mm PC/ABS-plastic blend, colour black, UL94V-0 standard IP54, (front), IP00 (rear side) approx. 120 g screw- / plug-in terminal; uni diameter joint up to 1.5 mm <sup>2</sup>
<b>Indication</b>	Character height Segment colour Display	14 mm red 4-digit
<b>Input</b>	Impulse instalment  Input resistance Input voltage HIGH- / LOW level	10000 impulses/s max. 30 impulses/s with active damping approx. 5 kOhm ±5...24 V ≥3 V / <2 V
<b>Output</b>	Setpoints Photo Mos	30 VAC/0.4 A – 30 VDC/0.4 A Input – output voltage / disruptive discharge 100 VAC
<b>Power unit</b>	Power supply Power consumption	24 VDC / +/-10 % max. 5 VA
<b>Memory</b>	Data conservation	parameter memory EEPROM >30 years

# Technical data

## Ambient conditions

Working temperature 0 up to + 60 °C  
Storing temperature -20 up to + 80 °C  
Climatic conditions rel. humidity  $\leq 75\%$  in the annual mean without formation of condensation

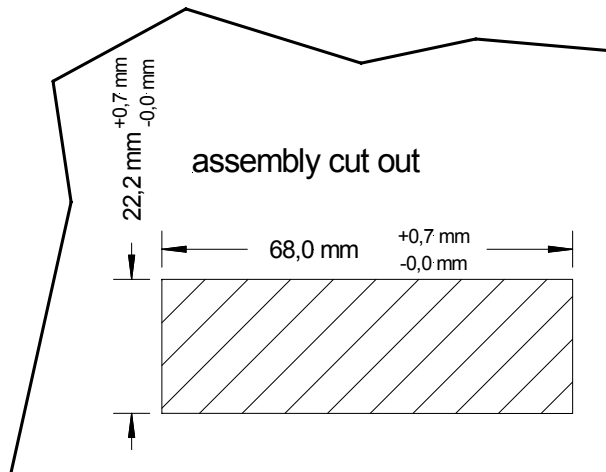
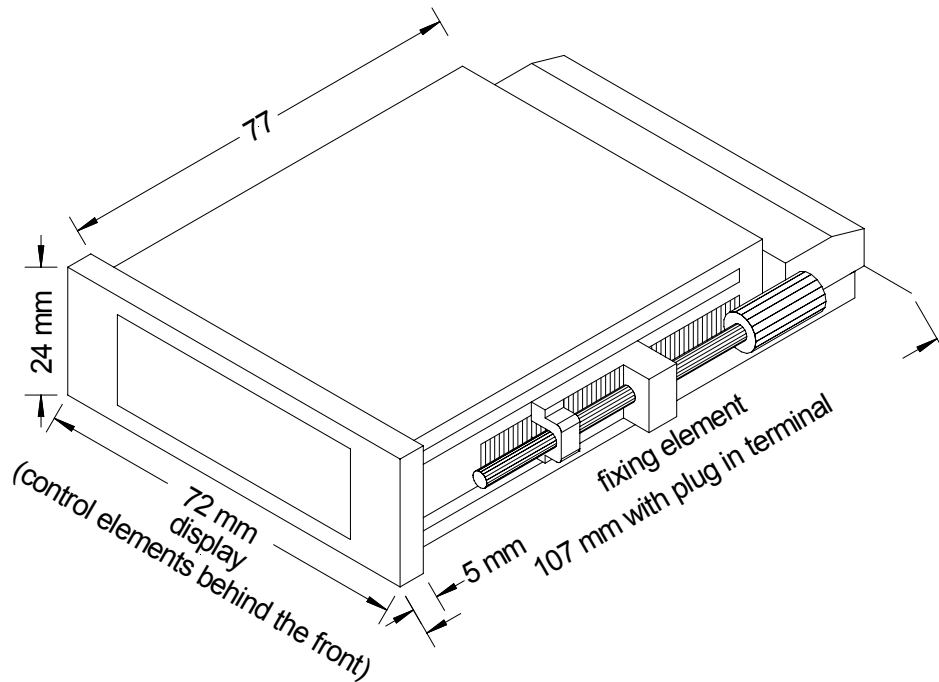
## EMV CE-sign

DIN 61326  
conformity in accordance with 89/336/EWG

## Safety requirement

DIN 61010

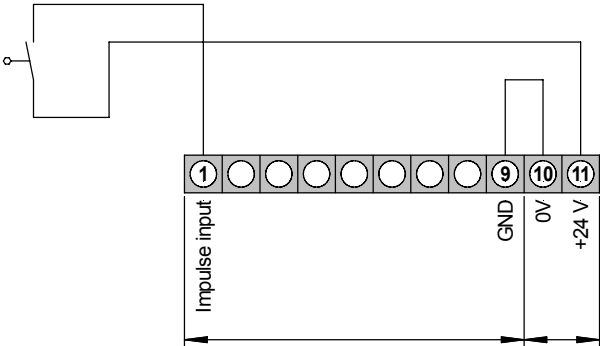
## Housing



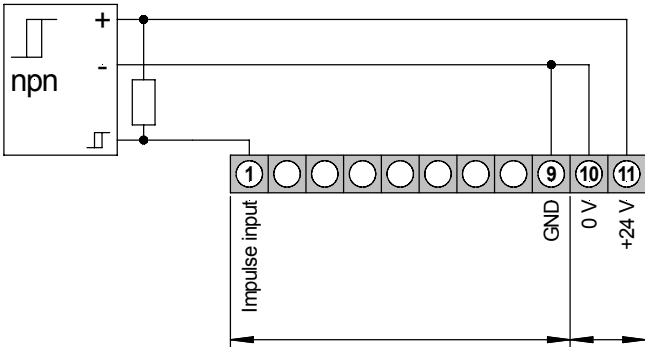
# Connecting diagrams

72 x 24 mm

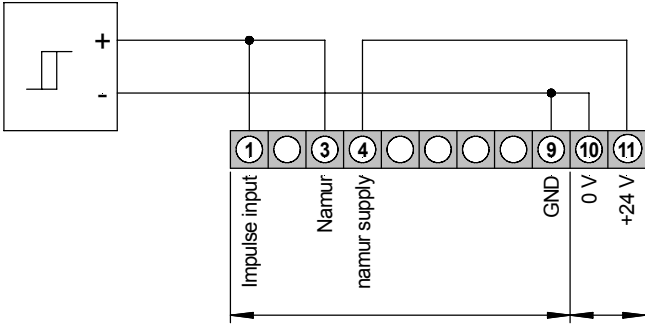
Connection of a mechanically switch



Connection of an initiator (npn) with external pull-up resistor



Connection of a namur sensor



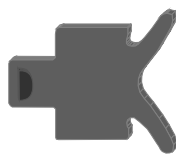
# Ordering code      PC4

## Digital panel meter with microprocessor based technology

		P	C	4	0	0	0	3	5	7	6	2	B		
<b>Basic model (Processor)</b>															<b>Internal index</b>
<b>Kind of model</b> Counter	C														<b>Setpoints</b> 2 setpoints
<b>Number of digits</b> 4 digits	4														<b>Mechanical options</b> 5 Protection IP54, plug in terminal 7 Protection IP65 at the front, plug in terminal
<b>Interface</b> Not available	0														<b>Power supply</b> 7 24 VDC (galvanic insulated)
<b>Sensor supply</b> Not available	0														<b>Size of housing</b> 5 72x24
<b>Analog output</b> Not available	0														<b>Counter index</b> 3



# Fastening clips



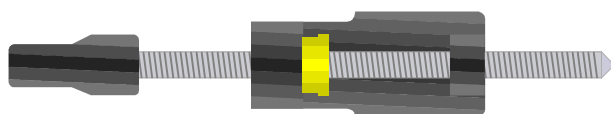
ORDER NUMBER

EUR

**ZU-KK2**

0,50

# Fixing screws



**ZU-KS2**

2,00



## Counter 4-digit

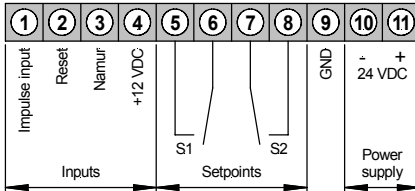
### PC4

- Character height 14 mm
- Start/stop or gate time input
- Programmable slope triggering
- Input filter
- Protection IP54
- Setpoints

# Counter



## • Impulse counter



Power supply 24 VDC  
(galvanic insulated)

ORDER NUMBER OF TYPE    EUR  
(without options)

**PC 4.0H03.6742B**    250,00

## OPTIONS

	PC4...	Additional price
		EUR
Green LED on demand	x	
Protection IP65 at the front	x	10,25
Plug in terminal	x	9,20
<b>Other power supplies on demand</b>		

## Technical data

<b>Housing</b>	Dimension	72 x 36 x 103 mm (WxHxD) including screw terminal 72 x 36 x 115 mm (WxHxD) including plug in terminal
	Assembly cut out	68.0 <sup>+0.7</sup> x 33.0 <sup>+0.6</sup> mm
	Fastening	special quick plastic clasp
	Wall thickness	0-50 mm
	Housing material	PC/ABS-plastic blend, colour black, UL94V-0
	Protection	standard IP54, (front), IP00 (rear side)
	Weight	ca. 140 g
	Connection	screw- /screw-plug in terminal; uni diameter joint up to 2.5 mm <sup>2</sup>
<b>Indication</b>	Character height	14 mm
	Segment colour	red
	Display	4-digit
<b>Input</b>	Impulse instalment	10.000 impulses/s max. 30 impulses/s with active damping
	Input resistance	approx. 5 kOhm
	Input voltage	±5...24 V
	HIGH- / LOW level	≥ 3 V / < 2 V
<b>Output</b>	Sensor supply	12 VDC 15 mA
	galv. insulated	
	Setpoints	30 VAC/0.4 A – 30 VDC / 0.4 A
Photo Mos	Input – output voltage / disruptive discharge 100 VAC	
<b>Power unit</b>	Power supply	24 VDC / +/-10%
	Power consumption	max. 5 VA
<b>Memory</b>		parameter memory EEPROM
	Data conservation	>30 years

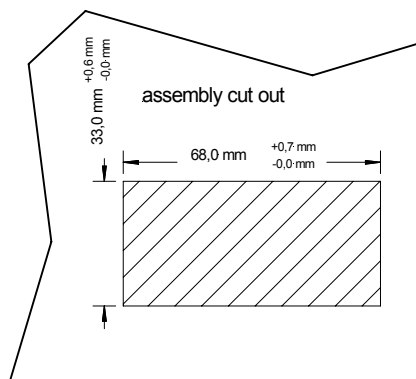
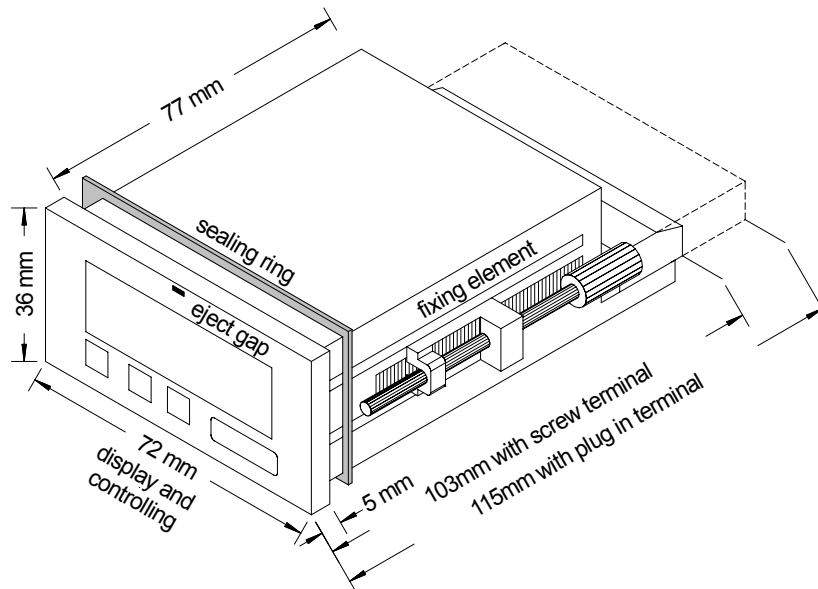
# Technical data

**Ambient conditions** Working temperature 0 up to + 60 °C  
Storing temperature -20 up to + 80 °C  
Climatic conditions rel. humidity  $\leq 75\%$  in the annual mean without formation of condensation

**EMV CE-sign** DIN 61326  
conformity in accordance with 89/336/EWG

**Safety requirement** DIN 61010

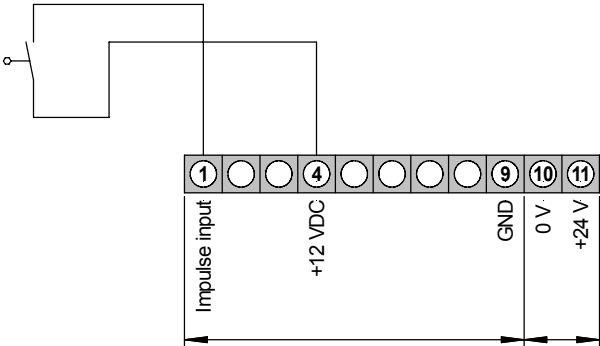
## Housing



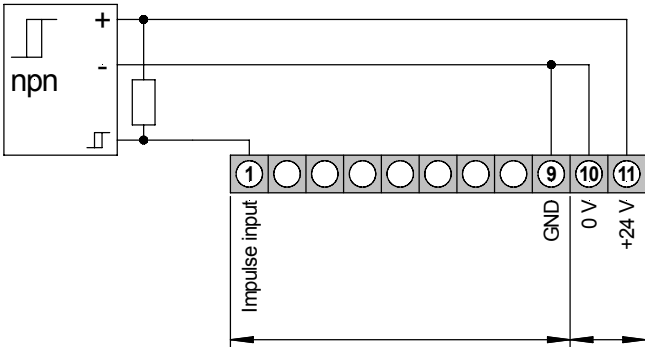
# Connecting diagrams

72x36 mm

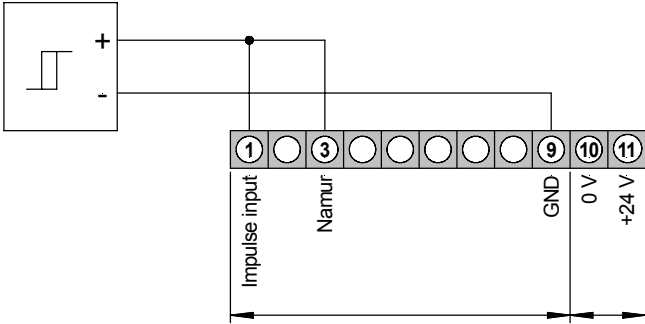
Connection of a mechanically switch



Connection of an initiator (npn) with an external pull-up resistor



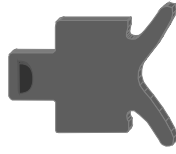
Connection of a namur sensor







## Fastening clips



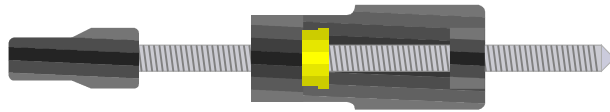
ORDER NUMBER OF TYPE

EUR

ZU-KK2

0,50

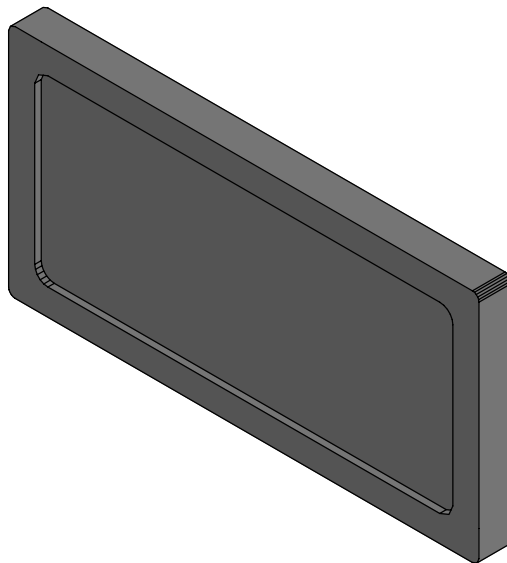
## Fixing screws



ZU-KS2

2,00

## Blind covers with fastening clamps



GH014-07

5,25

# Dimension strips

Montwill digital panel meter are equipped with an insertable dimension strip. Each dimension strip is bilateral printed with two different dimensions. The table below shows the available dimension strips which are attached to every panel meter. (free of charge)

## ORDER NUMBER

GH014-48-**XX**

<b>l/min</b>	<b>l/h</b>	<b>01</b>	<b>Gramm</b>	<b>MPa</b>	<b>22</b>	<b>mmWs</b>	<b>mm</b>	<b>43</b>
<b>l/s</b>	<b>K</b>	<b>02</b>	<b>pH</b>	<b>kPa</b>	<b>23</b>	<b>m</b>	<b>cm</b>	<b>44</b>
<b>mg</b>	<b>mg/l</b>	<b>03</b>	<b>Hz</b>	<b>kHz</b>	<b>24</b>	<b>m/h</b>	<b>m<sup>3</sup></b>	<b>45</b>
<b>bar</b>	<b>psi</b>	<b>04</b>	<b>Pa</b>	<b>hPa</b>	<b>25</b>	<b>mm/s</b>	<b>m/s</b>	<b>46</b>
<b>mbar</b>	<b>bar abs</b>	<b>05</b>	<b>%Nm</b>	<b>%daN</b>	<b>26</b>	<b>s</b>	<b>min</b>	<b>47</b>
<b>kg</b>	<b>kg/h</b>	<b>06</b>	<b>O<sub>2</sub></b>	<b>mV</b>	<b>27</b>	<b>%</b>	<b>‰</b>	<b>48</b>
<b>Kp</b>	<b>% Vol</b>	<b>07</b>	<b>V</b>	<b>kV</b>	<b>28</b>	<b>h</b>	<b>%rel F</b>	<b>49</b>
<b>mNN</b>	<b>N</b>	<b>08</b>	<b>m<sup>3</sup>/h</b>	<b>l</b>	<b>29</b>	<b>VA</b>	<b>KVA</b>	<b>50</b>
<b>daN</b>	<b>Ω</b>	<b>09</b>	<b>Fl/h</b>	<b>ft/min</b>	<b>30</b>	<b>gal/h</b>	<b>gal/min</b>	<b>51</b>
<b>Nm</b>	<b>kN</b>	<b>10</b>	<b>Fl/min</b>	<b>Tabl/h</b>	<b>31</b>	<b>ppm</b>	<b>vpm</b>	<b>52</b>
<b>PS</b>	<b>Grad</b>	<b>11</b>	<b>tr/min</b>	<b>rpm</b>	<b>32</b>	<b>rpm</b>	<b>m/min</b>	<b>53</b>
<b>NO</b>	<b>kA</b>	<b>12</b>	<b>mS/cm</b>	<b>uS/cm</b>	<b>33</b>	<b>mWs</b>	<b>ml/ m<sup>3</sup></b>	<b>54</b>
<b>NO<sub>2</sub></b>	<b>NO<sub>x</sub></b>	<b>13</b>	<b>cm<sup>3</sup></b>	<b>cm/min</b>	<b>34</b>			
<b>°C</b>	<b>°F</b>	<b>14</b>	<b>N/m<sup>2</sup></b>	<b>N/mm<sup>2</sup></b>	<b>35</b>			
<b>CO</b>	<b>CO<sub>2</sub></b>	<b>15</b>	<b>%rH</b>	<b>g/m<sup>3</sup></b>	<b>36</b>			
<b>min<sup>-1</sup></b>	<b>U/min</b>	<b>16</b>	<b>~</b>	<b>=</b>	<b>37</b>			
<b>l/min</b>	<b>mm/min</b>	<b>17</b>	<b>ml</b>	<b>ml/min</b>	<b>38</b>			
<b>mA</b>	<b>A</b>	<b>18</b>	<b>Ncm</b>	<b>MN</b>	<b>39</b>			
<b>W</b>	<b>kW</b>	<b>19</b>	<b>MW</b>	<b>Mp</b>	<b>40</b>			
<b>upm</b>	<b>yd/min</b>	<b>20</b>	<b>Var</b>	<b>Mvar</b>	<b>41</b>			
<b>t</b>	<b>t/h</b>	<b>21</b>	<b>km/h</b>	<b>m<sup>3</sup>/min</b>	<b>42</b>			

(For substitute deliveries)

Price/pcs EUR 0,75



## **Counter 6-digit**

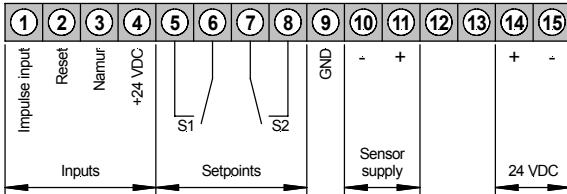
### **PC6**

- Character height 14 mm
- Start/stop or gate time input
- Programmable slope triggering
- Input filter
- Setpoints
- Sensor supply
- Protection IP54 standard

# Counter



## • Impulse counter



Power supply 24 VDC  
galvanic insulated

ORDER NUMBER OF TYPE    EUR  
(without options)

**PC 6.0303.3732B**    270,00

## OPTIONS

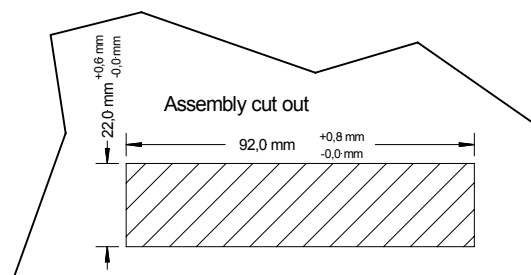
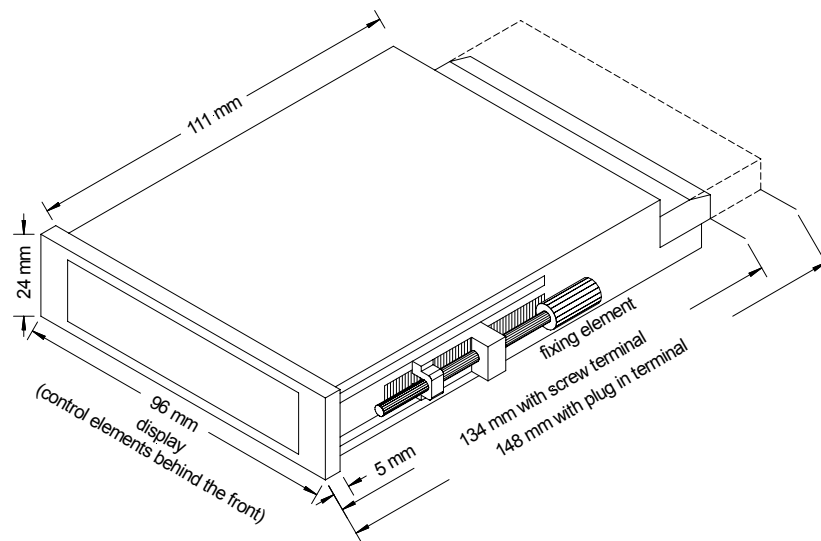
	PC6...	Additional price
		EUR
Green LED on demand	X	
Plug in terminal	X	14,30
Protection IP65 at the front on demand	X	
<b>Other power supplies on demand</b>		

## Technical data

<b>Housing</b>	Dimension	96 x 24 x 134 mm (WxHxD) including screw terminal 96 x 24 x 148 mm (WxHxD) including plug in terminal
	Assembly cut out	92.0 <sup>+0.8</sup> x 22.0 <sup>+0.6</sup> mm
	Fastening	special quick plastic clasp
	Wall thickness	0-50 mm
	Housing material	PC/ABS-plastic blend, colour black, UL94V-0
	Protection	standard IP40, (front), IP00 (rear side)
	Weight	approx. 250 g
	Connection	screw- / plug-in terminal; uni diameter joint up to 2.5 mm <sup>2</sup>
<b>Indication</b>	Character height	14 mm
	Segment colour	red
	Display	6-digit
<b>Input</b>	Impulse instalment	10000 impulses/s max. 30 impulses/s with active damping
	Input resistance	approx. 5 kOhm
	Input voltage	±5...24 V
	HIGH- / LOW level	≥3 V / <2 V
<b>Output</b>	Sensor supply	24 VDC/50 mA
	galvanic insulated	
	Setpoints	30 VAC/0.4 A – 30 VDC / 0.4 A
	Photo Mos	Input – output voltage / disruptive discharge 100 VAC

# Technical data

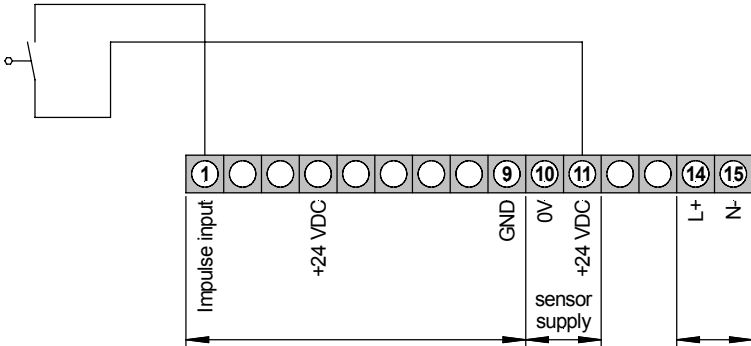
<b>Power unit</b>	supply voltage	24 VDC / +/-10%
	power consumption	max. 5 VA
<b>Memory</b>		parameter memory EEPROM
	Data conservation	>30 years
<b>Ambient conditions</b>	Working temperature	0 up to + 60 °C
	Storing temperature	-20 up to + 80 °C
	Climatic conditions	rel. humidity ≤75% in the annual mean without formation of condensation
<b>EMV</b>		DIN 61326
<b>CE-sign</b>		conformity in accordance with 89/336/EWG
<b>Safety requirement</b>		DIN 61010
<b>Housing</b>		



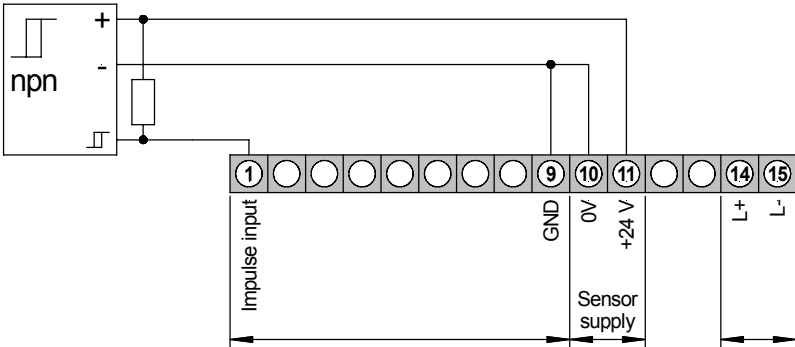
# Connecting diagrams

96 x 24 mm

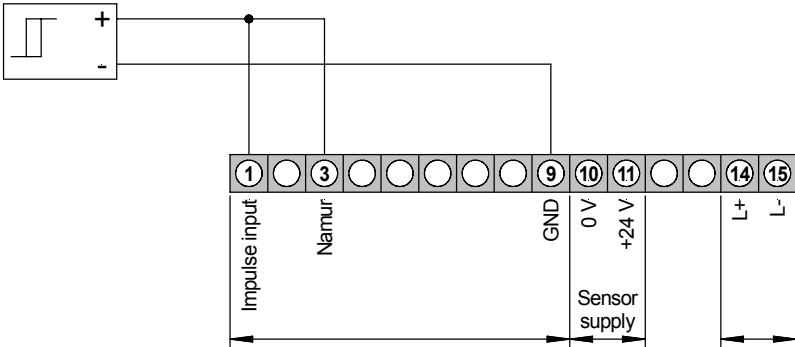
Connection of a mechanically switch



Connection of an initiator (npn) with external pull-up resistor



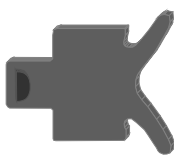
Connection of namur-sensor







## Fastening clips



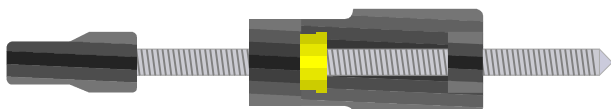
ORDER NUMBER OF TYPE

EUR

ZU-KK2

0,50

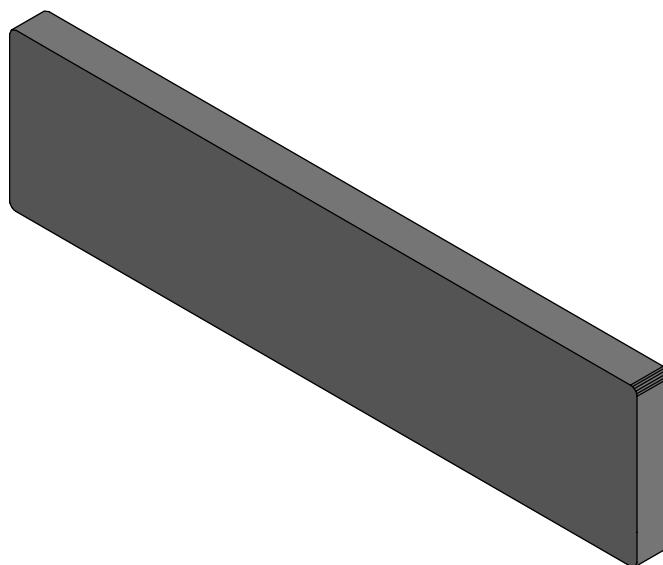
## Fixing screws



ZU-KS2

2,00

## Blind covers with fastening clamps



GH022-07

5,10



## Counter 6 digits

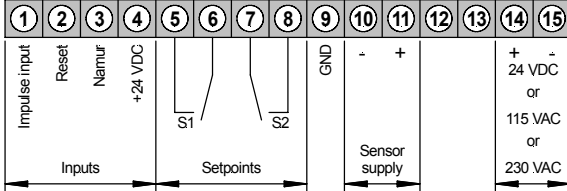
### PC6

- Character height 14 mm
- Start/stop or gate time input
- Programmable slope triggering
- Input filter
- Protection IP54
- 2 setpoints

# Counter



## • Impulse counter



Power supply 230 VAC  
 Power supply 115 VAC  
 Power supply 24 VDC  
 (galvanic insulated)

ORDER NUMBER OF TYPE    EUR  
 (without options)

**PC 6.0303.1542B**    240,00  
**PC 6.0303.1442B**    250,00  
**PC 6.0303.1742B**    280,00

## OPTIONS

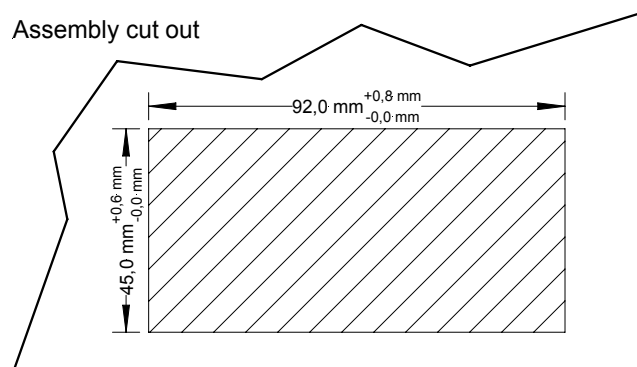
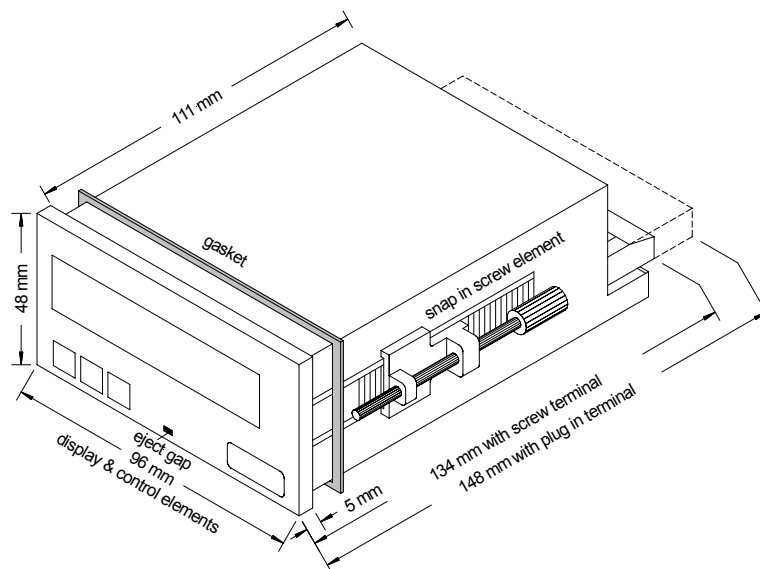
	PC6...	Additional price
		EUR
Green LED on demand	X	
Protection IP65 at the front	X	10,25
Plug in terminal	X	14,30
<b>Other power supplies on demand</b>		
Dimension strips selectable		

## Technical data

<b>Housing</b>	Dimensions	96 x 48 x 134 mm (WxHxD) including screw terminal 96 x 48 x 148 mm (WxHxD) including plug in terminal 92.0 <sup>+0.8</sup> x 45.0 <sup>+0.6</sup> mm
	Assembly cut out	special quick plastic clasp
	Fastening	0-50 mm
	Wall thickness	PC/ABS-plastic blend, colour black, UL94V-0
	Housing material	standard IP54, (front), IP00 (rear side)
	Protection	approx. 390 g
	Weight	screw- /plug-in terminal; uni diameter joint up to 2.5 mm <sup>2</sup>
Connection		
<b>Indication</b>	Character height	14 mm
	Segment colour	red
	Display	6-digit
<b>Input</b>	Impulse instalment	10000 impulses/s max. 30 impulses/s with active damping
	Input resistance	approx. 5 kOhm
	Input voltage	±5...24 V
	HIGH- / LOW level	≥3 V / <2 V
<b>Output</b>	Sensor supply	24 VDC/50 mA
	galvanic insulated	
	Setpoints	30 VAC/0.4 A – 30 VDC / 0.4 A
	Photo Mos	Input – output voltage / disruptive discharge 100 VAC

# Technical data

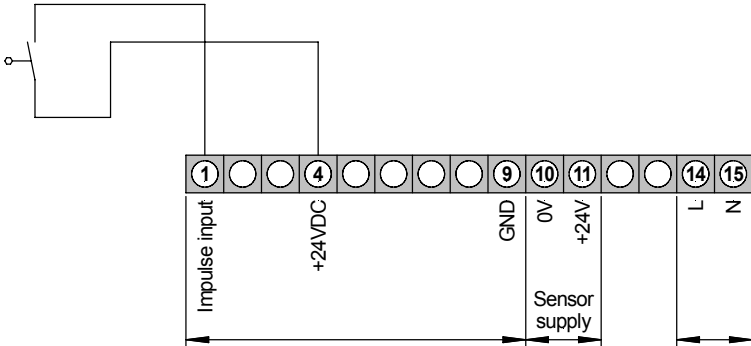
<b>Power unit</b>	supply voltage	230 VAC / 50/60 Hz / +/-10% 115 VAC / 50/60 Hz / +/-10% 24 VDC / +/-10%
	power consumption	max. 5 VA
<b>Memory</b>	Data conservation	parameter memory EEPROM >30 years
<b>Ambient conditions</b>	Working temperature	0 up to + 60 °C
	Storing temperature	-20 up to + 80 °C
	Climatic conditions	rel. humidity ≤75% in the annual mean without formation of condensation
<b>EMV</b>		DIN 61326
<b>CE-sign</b>		conformity in accordance with 89/336/EWG
<b>Safety standard</b>		DIN 61010
<b>Housing</b>		



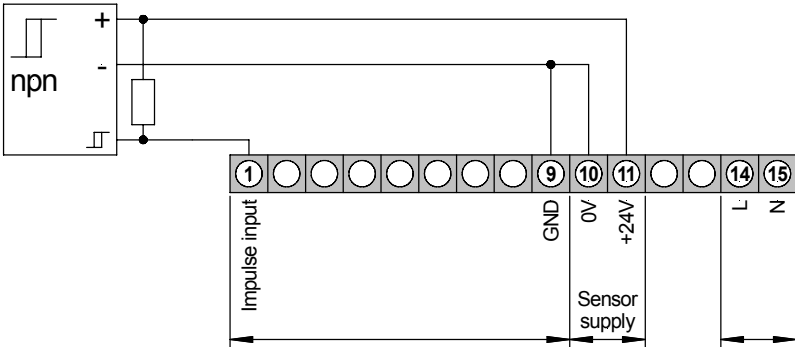
# Connection diagrams

96x48 mm

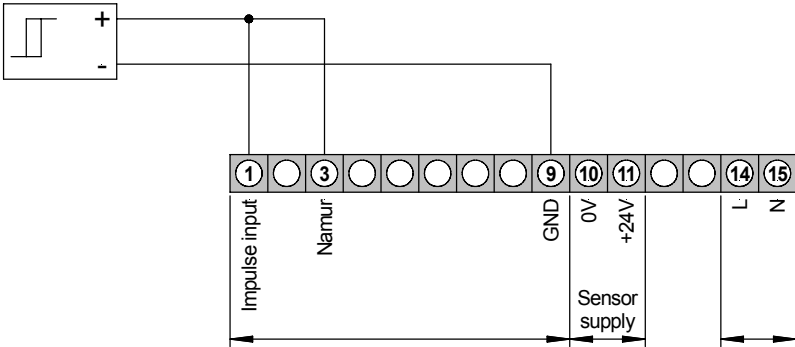
Connection of a mechanically switch



Connection of an initiator (npn) with external pull-up resistor



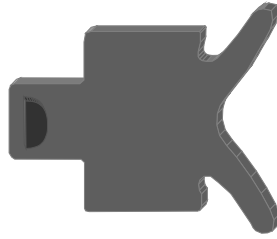
Connection of a namur sensor







## Fastening clips



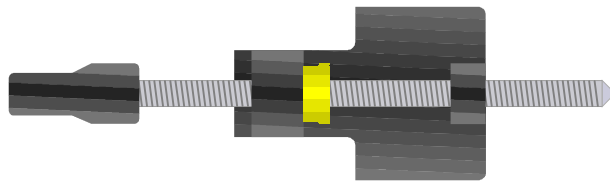
ORDER NUMBER OF TYPE

EUR

ZU-KK1

0,50

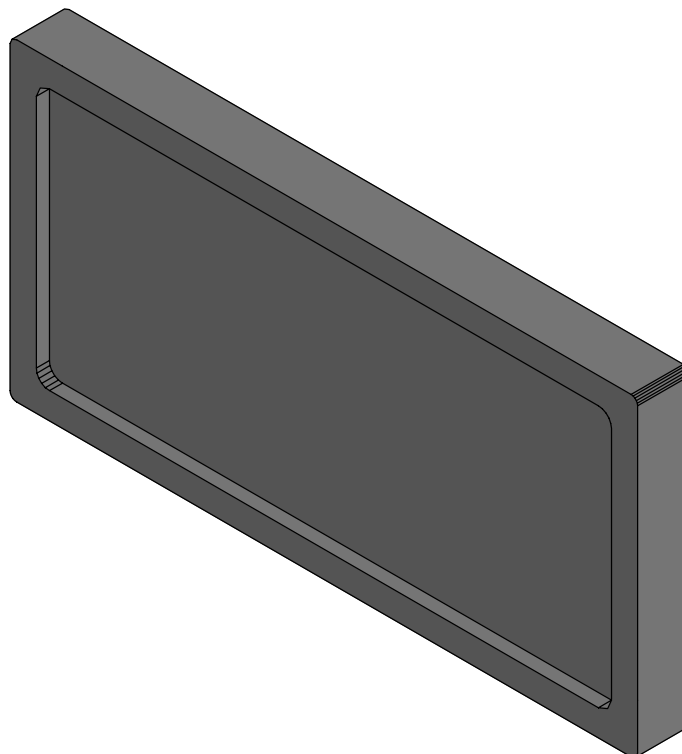
## Fixing screws



ZU-KS1

2,00

## Blind covers with fastening clamps



GH009-06

5,50

# Dimension strips

Montwill digital panel meter are equipped with an insertable dimension strip. Each dimension strip is bilateral printed with three different dimensions plus one blank dimension. The table below shows the available dimension strips which are attached to every panel meter. (free of charge)

ORDER NUMBER GH009-48-**XX**

<b>l/min</b>	<b>l/h</b>	<b>l/s</b>	<b>01</b>	<b>h</b>	<b>mg</b>	<b>mg/l</b>	<b>22</b>
<b>bar</b>	<b>psi</b>	<b>mbar</b>	<b>02</b>	<b>kg</b>	<b>kg/h</b>	<b>Kp</b>	<b>23</b>
<b>mNN</b>	<b>N</b>	<b>bar abs</b>	<b>03</b>	<b>ppm</b>	<b>vpm</b>	<b>% Vol</b>	<b>24</b>
<b>daN</b>	<b>Nm</b>	<b>kN</b>	<b>04</b>	<b>Pak/min</b>	<b>Tak/min</b>	<b>Stck/min</b>	<b>25</b>
<b>Ω</b>	<b>PS</b>	<b>mm/min</b>	<b>05</b>	<b>NO</b>	<b>NO<sub>2</sub></b>	<b>NO<sub>x</sub></b>	<b>26</b>
<b>°C</b>	<b>°F</b>	<b>Grad</b>	<b>06</b>	<b>mA</b>	<b>A</b>	<b>kA</b>	<b>27</b>
<b>min<sup>-1</sup></b>	<b>1/min</b>	<b>U/min</b>	<b>07</b>	<b>W</b>	<b>kW</b>	<b>m/min</b>	<b>28</b>
<b>t</b>	<b>t/h</b>	<b>Gramm</b>	<b>08</b>	<b>upm</b>	<b>rpm</b>	<b>yd/min</b>	<b>29</b>
<b>pH</b>	<b>kPa</b>	<b>MPa</b>	<b>09</b>	<b>Hz</b>	<b>kHz</b>	<b>cm/min</b>	<b>30</b>
<b>O<sub>2</sub></b>	<b>CO</b>	<b>CO<sub>2</sub></b>	<b>10</b>	<b>Pa</b>	<b>hPa</b>	<b>Hübe/min</b>	<b>31</b>
<b>mV</b>	<b>V</b>	<b>kV</b>	<b>11</b>	<b>%Nm</b>	<b>%daN</b>	<b>Hübe</b>	<b>32</b>
<b>VA</b>	<b>kVA</b>	<b>K</b>	<b>12</b>	<b>mS/cm</b>	<b>uS/cm</b>	<b>cm<sup>3</sup></b>	<b>33</b>
<b>Fl/h</b>	<b>FL/min</b>	<b>Tabl/h</b>	<b>13</b>	<b>N/m<sup>2</sup></b>	<b>N/mm<sup>2</sup></b>	<b>%rH</b>	<b>34</b>
<b>ft/min</b>	<b>tr/min</b>	<b>rpm</b>	<b>14</b>	<b>~</b>	<b>=</b>	<b>g/m<sup>3</sup></b>	<b>35</b>
<b>Var</b>	<b>Mvar</b>	<b>km/h</b>	<b>15</b>	<b>ml</b>	<b>ml/min</b>	<b>Ncm</b>	<b>36</b>
<b>m<sup>3</sup>/h</b>	<b>l</b>	<b>m<sup>3</sup>/min</b>	<b>16</b>	<b>MW</b>	<b>Mp</b>	<b>MN</b>	<b>37</b>
<b>gal/h</b>	<b>gal/min</b>	<b>mmWs</b>	<b>17</b>	<b>ml/m<sup>3</sup></b>	<b>inch</b>	<b>mWs</b>	<b>38</b>
<b>m</b>	<b>cm</b>	<b>mm</b>	<b>18</b>				
<b>m/h</b>	<b>m<sup>3</sup></b>	<b>m/s</b>	<b>19</b>				
<b>mm/s</b>	<b>s</b>	<b>min</b>	<b>20</b>				
<b>%</b>	<b>‰</b>	<b>%rel F</b>	<b>21</b>				

(For substitute deliveries)

Price/pcs EUR 0,75