



MEASURE ANALYSE ALERT

NEWSTEO TRACKER, DATA LOGGER FOR MONITORING OF TRANSPORT CONDITIONS.

The Newsteo Tracker measures and records up to 6 months of transport. It includes the recording of temperature, humidity, light and shocks (on 3 axis) as well as free fall height. It also indicates the duration of the shock and its energy.

Two versions of the Newsteo Tracker are available:

- TRK31 : shock up to 6g, temperature, humidity, light and free fall height.
- TRE52 : shock up to 16g, temperature and free fall height.

FUNCTIONING

Having configured and activated the Newsteo Tracker, just fix it in the container, truck, box... before it leaves. The Newsteo Tracker continuously measures various parameters and stores corresponding measures. Upon arrival, the measures are wirelessly downloaded on PC, through the package of the good.



ASSETS

A compact design

- Miniature and easily integrate
- No wire, no plugs
- Easily removable

Accurately wireless measures

- Very high precision of measure
- Wireless data transmission
- Wireless restoration of the recorded data
- Transfer through out the walls

Freedom of use

- High battery autonomy
- High storage capacity

	TRK31	TRK33	TRK41
Operating temperature	-10°C to +60°C	-40°C to +85°C	-10°C to +60°C
Temperature Sensor	-10° ... +60°C Accuracy : ± 0.4°C @ 25°C	-40° ... +85°C Accuracy : ± 0.4°C @ 25°C	-10° ... +60°C Accuracy : ± 0.4°C @ 25°C
Humidity	0 to 100% ± 3% (20 to 80% Humidity)	0 to 100% ± 3% (20 to 80% Humidity)	0 to 100% ± 3% (20 to 80% Humidity)
Luminosity	0 to 220 Lux ± 30 Lux	0 to 220 Lux ± 30 Lux	0 to 220 Lux ± 30 Lux
Shocks (3 axis)	-6g to +6g Accuracy : +/- 0,06 static and +/- 0,5 dynamic	-6g to +6g Accuracy : +/- 0,06 static and +/- 0,5 dynamic	-6g to +6g Accuracy : +/- 0,06 static and +/- 0,5 dynamic
Free-fall height	1 cm to 20 m +/-5 cm	1 cm to 20 m +/-5 cm	1 cm to 20 m +/-5 cm
RF Range RF	40m in a free environment	40m in a free environment	800m (with 1/4 wave antenna)

Measures Frequency

Can be set from one measure every minute, to one every 4 hours.

Transmission frequency

ISM 868 MHz (Europe); 915 MHz (USA)

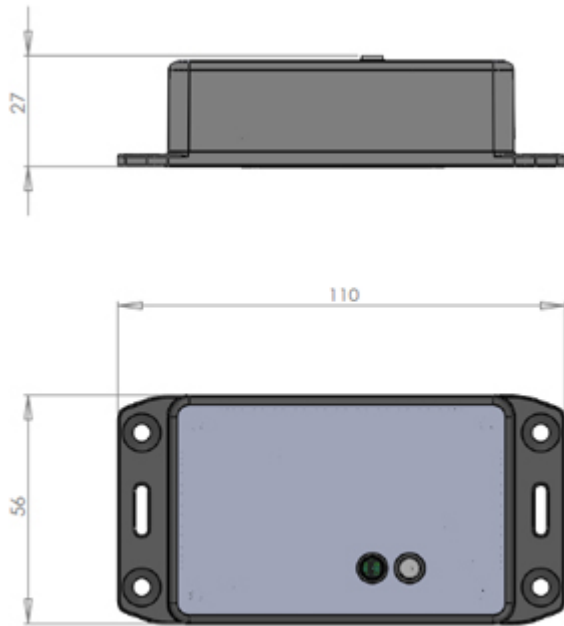
Memory Capacity

32 768 mesures with date and time (flash memory technology). Corresponding to 1 statement of mesures every 10 minutes during 6 months with 6 000 events (shock, free-fall)

Data Historic files

Data compatible with EXCEL or encrypted PDF files

TRK31 AND TRK33 CASING SPECIFICATIONS



Weight with battery
160g

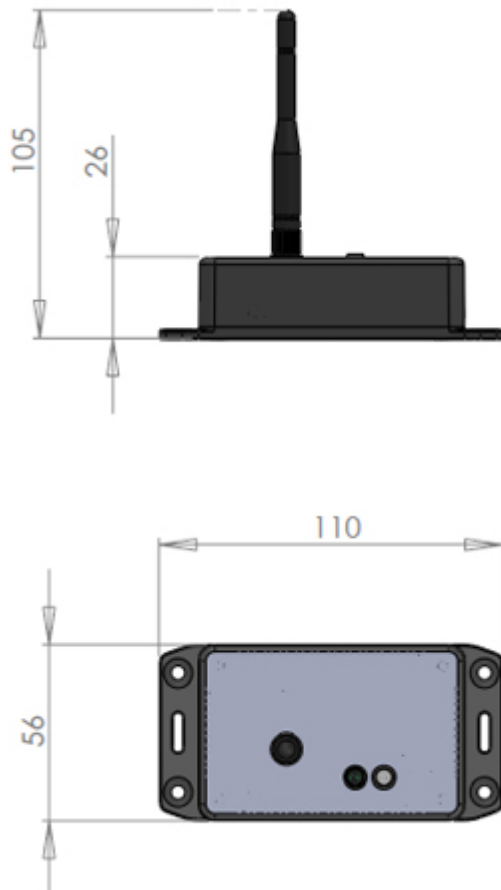
Size
110 x 56 x 26 mm

TRK31 Batteries
3 AA Alkaline batteries

BTRK33 Batteries
1 AA Lithium Thionyle type Battery

IP
IP54

CASING SPECIFICATIONS TRK41



Weight with battery
160g

Size
110 x 56 x 26 mm

Battery
3 Piles AA Alkaline

Antenna
1/4 wave antenna (included)

IP
IP54