

Relative Humidity up to 100%!

HYGRODAT 10-AGRO



General information

The Hygrodat 10-AGRO is a relative humidity meter that enables you to get good measurement to perform up to 100% humidity, without checking the sensor.

The patented electrolytic cell has no saturation and hysteresis, and therefore has a very high accuracy.

The deviation is up to 1%, even at low temperatures.

Applications:

- Cells Grow
- Greenhouses
- Storage of pears, bulbs, chicory
- Etc..

Advantages:

- Measuring up to 100% RH
- High accuracy
- Easy calibrating
- Humidity control on measured rH
- Energy saving
- Water saving



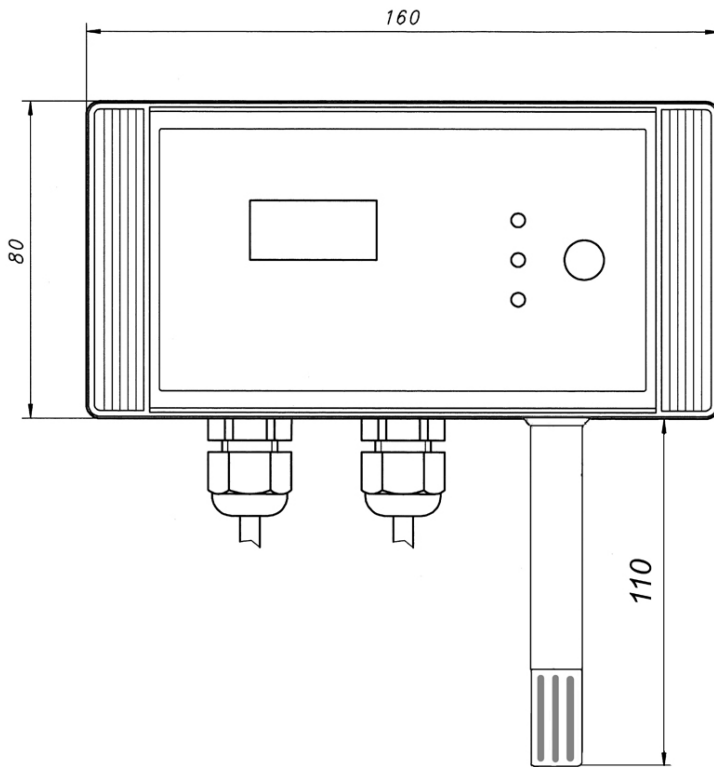
Calibration can easily be done by yourself using the optionally available salt standards.

The salt standards are placed over the sensor and form a temporary climate chamber.

After some time the relative humidity is stabilized and with a simple push button the value is recorded.

The salt standards are available in 11%, 33%, 53%, 75% and 90% RH.

Dimensions:



Specifications:

Humidity range	6..100%
Temperature range	-20..80°C
Accuracy rH	+/- 1%
Accuracy Temperature	+/- 0,5K
Repeatability rH	< 0.3%
Repeatability Temperature	< 0,1K
Power supply	9..35VDC
Output signal	0/4..20mA 0..10V

The high-precision measurement cell CC-1 for measurement of relative humidity and temperature

Characteristics:

- High precision over a wide temperature range and right up to 100 % relative humidity (no hysteresis; no secondary adsorption)
- No influence of cable length on measurement allows 60 m of cable between sensor and electronics
- High similarity: +/-2% RH precision without calibration
- Sensor is pluggable (no soldering)

