

# More Precision.

## optris® CT 3M

Precise non-contact temperature measurement  
from 50°C to 600°C



### FEATURES

- New: Miniaturized Infrared Thermometer with 2,3  $\mu\text{m}$  wave length range for measurements of metals, of secondary metal processing, metal oxides and ceramic materials
- Very small sensing head of 14 mm diameter and 28 mm length fits everywhere
- Usable up to 85°C ambient temperature without cooling
- For measurements on metal surfaces with a very low start temperature of 50°C
- Short wave length range of 2,3  $\mu\text{m}$  to reduce error of reading with measurements on materials with unknown emissivity

General specifications	
Environmental rating	IP 65 (NEMA-4)
Ambient temperature	sensing head: -40 - 85°C electronics: 0 - 85°C
Storage temperature	sensing head: -40 - 125°C electronics: -40 - 85°C
Relative humidity	10 - 95 %, non condensing
Vibration (sensor)	IEC 68-2-6: 3 G, 11-200 Hz, any axis
Shock (sensor)	IEC 68-2-27: 50 G, 11 ms, any axis
Weight	sensing head 40 g electronics 420 g
Electrical specifications	
Outputs/analog	0/4 - 20 mA, 0 - 5/10 V, thermocouple J, K, alarm
Alarm output	Open - collector (24V/50mA)
Optional:	relay: 2 x 60 V DC/42 V AC <sub>eff</sub> ; 0.4 A; optically isolated
Outputs/digital (optional)	USB, RS232, RS485, CAN, Profibus DP, Ethernet
Output impedances	mA max. 500 $\Omega$ (with 8 - 36 V DC) mV min. 100 k $\Omega$ load impedance thermocouple 20 $\Omega$
Inputs	programmable functional inputs for external emissivity adjustment, ambient temperature compensation, trigger (reset of hold functions)
Cable length	3 m
Current draw	max. 100 mA
Power supply	8 - 36 V DC

Measurement specifications	
Temperature ranges (scalable via programming keys or software) <sup>1)</sup>	50 - 375°C (3ML) 100 - 600°C (3MH)
Spectral ranges	2,3 $\mu\text{m}$
Optical resolution CT 3ML <sup>4)</sup>	22:1
Optical resolution CT 3MH <sup>4)</sup>	33:1
System accuracy <sup>2)</sup> (at ambient temperature 23 $\pm$ 5°C)	$\pm$ (0,3% of reading + 2°C)
Repeatability (at ambient temperature 23 $\pm$ 5°C)	$\pm$ (0,1% of reading + 1°C)
Temperature resolution (digital)	0,1 K
Exposure time <sup>3)</sup>	1 ms (90 %)
Emissivity/Gain (adjustable via programming keys or software)	0.100 - 1.100
Transmissivity/Gain (adjustable via programming keys or software)	0.100 - 1.100
Signal processing (parameter adjustable via programming keys or software, respectively)	peak hold, valley hold, average; extended hold function with threshold and hysteresis

<sup>1)</sup> T<sub>object</sub> > T<sub>sensing head</sub> + 25°C

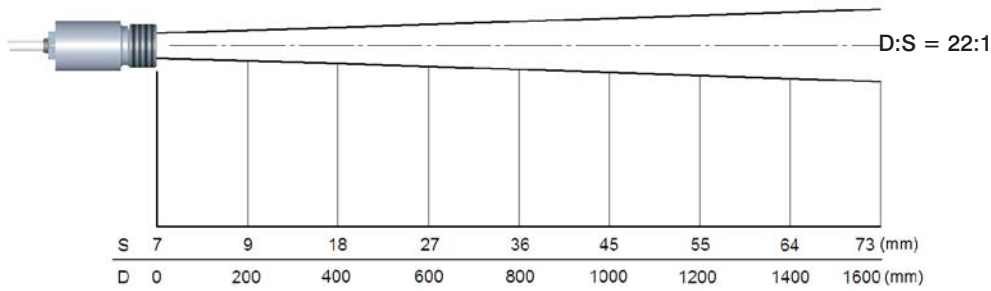
<sup>2)</sup> E=1, Response time 1 s

<sup>3)</sup> with dynamic adaptation at low signal levels

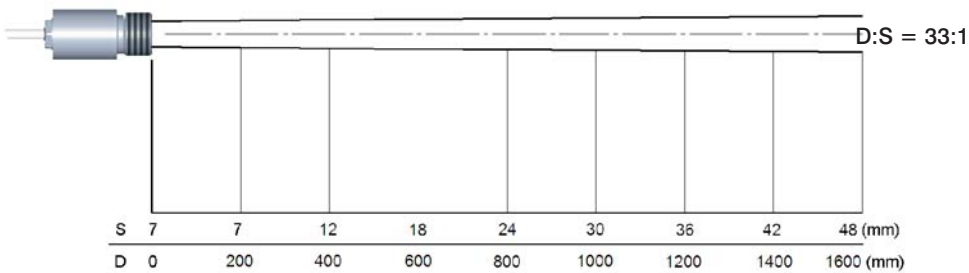
<sup>4)</sup> 90 % Energy

# optris® CT 3M

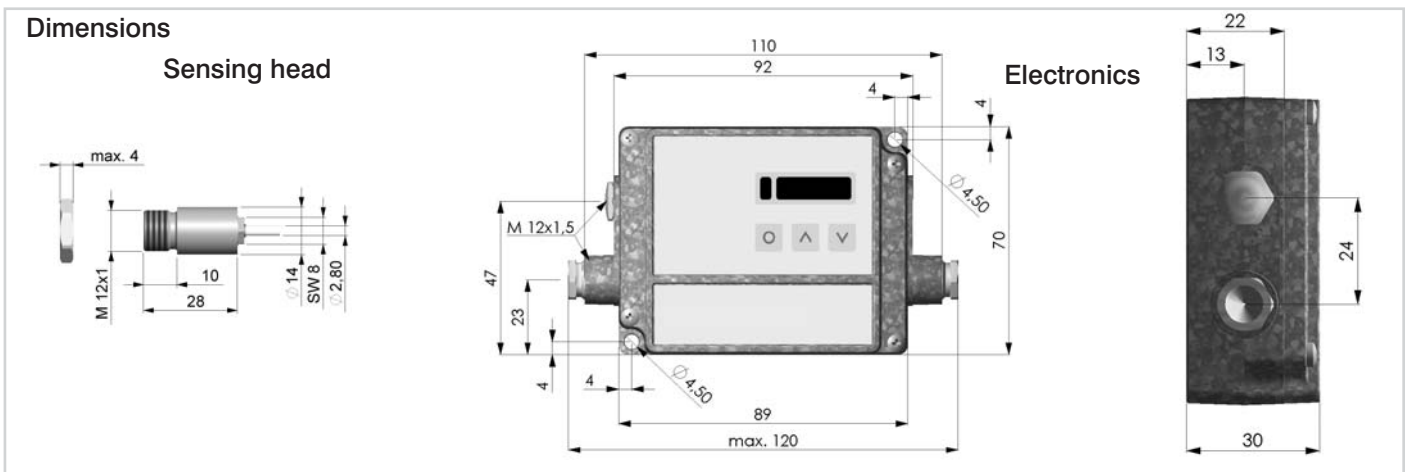
## Optical specifications



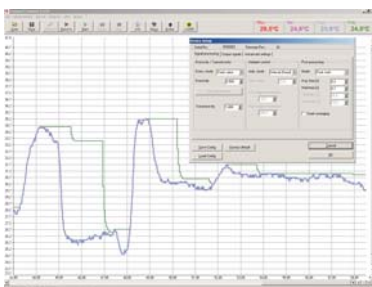
### CT 3MH SF



3ML CF 5mm@110mm  
3MH CF 3,5mm@110mm



### CompactConnect Software



- Software for easy sensor setup and remote controlling, supports multi tasking
- Graphic display for temperature trends and automatic data logging for analysis and documentation with 1 ms response time
- Adjustment of signal processing functions and programming of outputs and functional inputs of the sensor
- Automatic emissivity adjustment
- The software CompactConnect allows to customize the sensor to application needs of the user