

# HOBO® Pro v2 RH Sensor Replacement Kit

Kit Part # HUM-RHPCB-1

Logger Part # U23-001

## Contents

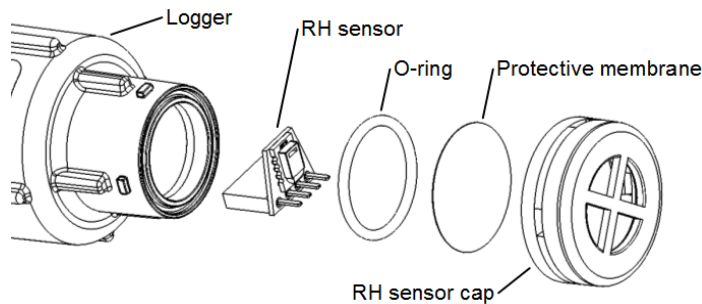
- RH sensor board (Part # 91-RHPCB-1)
- Protective membrane (Part # 85-MEMBRANE1-U23)
- RH sensor cap (Part # 85-RHCAP1-U23)
- Pre-lubricated O-ring for sensor cap (Part # 85-ORING-28)
- Pre-lubricated O-ring for logger end cap (Part # 85-ORING-120)

## Replacing the RH sensor

The RH sensor is protected by an ASA styrene polymer cap and a modified hydrophobic polyethersulfone fluid barrier membrane that allows vapor to penetrate while protecting the sensor from condensation.

RH sensor performance may degrade over time. To replace the RH sensor in your logger, take the following steps:

1. Turn the RH sensor cap counter-clockwise slightly and pull to remove it. Discard the sensor cap, membrane, and o-ring. Clean the sensor end of the logger.



2. Note the orientation of the small circuit board containing the RH sensor. With a pair of needle-nose pliers, grip the sensor board pins. Pull out and discard the board.
3. Push gently but firmly to install the new sensor in the same orientation. Make sure it engages with the pins inside the logger housing.
4. Make sure the o-ring is clean and seated properly, and set the protective membrane on top (either side can face up).
5. Put the sensor cap back on. Push down and turn it slightly clockwise to close it securely. Do not force it. If the cap does not go on easily, the sensor may be installed incorrectly. Check the sensor orientation and try again.
6. Check logger status in HOBOWare to verify the RH reading.